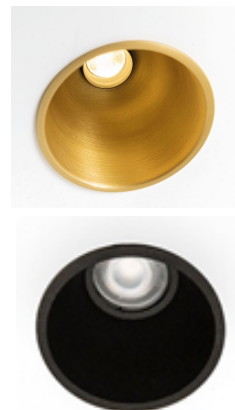


LED recessed spotlight

Datasheet

Number of heads	1
Mounting	Recessed
Lamps description	LED GU-10, 8W 3000K CRI 80+
Luminaire luminous flux	100W/lm 800Lm
Voltage (V)	220/240
Environment	Indoor
Notes	LED indoor recessed spotlight.



OPTICAL

Reflector finish	Aluminum
Aiming	Fixed
Light distribution symmetry	Symmetric
Beam angle	36° Medium
Color temperature	3000K

ELECTRICAL

Wattage	8W
Transformer mounting	Integral
Transformer type	Electronic
Frequency	50-60HZ
Voltage	110-240V AC

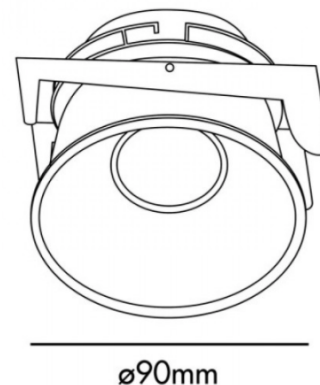
PHYSICAL

Spot diameter (mm)	Ø 90
Construction material	6063 Aluminium
Weight (kg)	0,35
Luminaire lifespan	30 000h
LED module	PHILIPS/BRIDGELUX COB LED 100 lm/W
Driver	LIFUD flicker free
Working temperature	Operation: 0 to +40 °C

Colors:



Dimensions: Ø90mm x 37mm



CERTIFICATIONS

