

## MAGNETIC LED track light OSAKA 7 W Dimmable Datasheet

Number of heads	1
Mounting	Track mounting
Lamps description	LED 7 W, CRI 90
Luminaire luminous flux	100 lm/W
Voltage (V)	48
Environment	Indoor
Notes	MAGNETIC track lights are a new generation of innovative lighting systems.

### OPTICAL

Reflector finish	Aluminum, PVC
Aiming	Adjustable 360° and 90°
Light distribution symmetry	Symmetric
Beam angle	24°
Color temperature	2700K, 3000K, 4000K

### ELECTRICAL

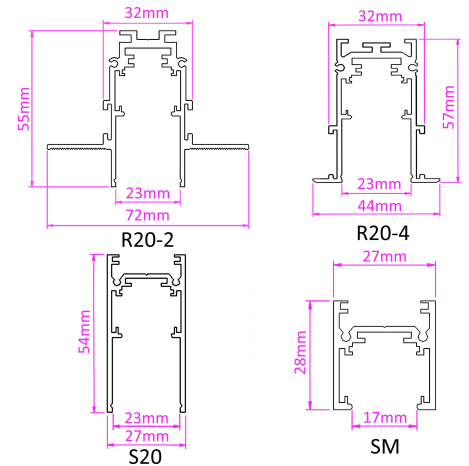
Wattage	7 W
Transformer mounting	Integral
Transformer type	Electronic
Frequency	50-60 HZ
Voltage	48 V

### PHYSICAL

Spot diameter (mm)	Ø 30
Construction material	Aluminium, PVC
Weight (kg)	0,18
Luminaire lifespan	30 000h
LED module	BRIDGELUX COB LED
Driver	Flicker free 48 V, 0-10 V DIM
Working temperature	0 to +40 °C
Warranty	3 years from purchase date

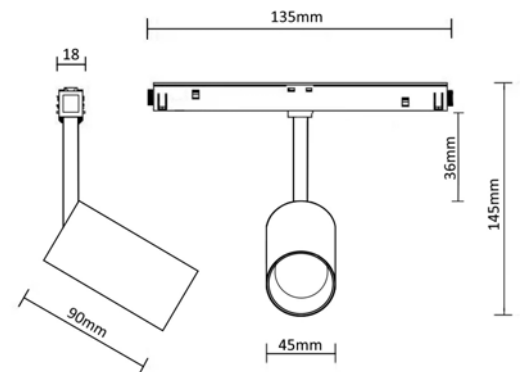
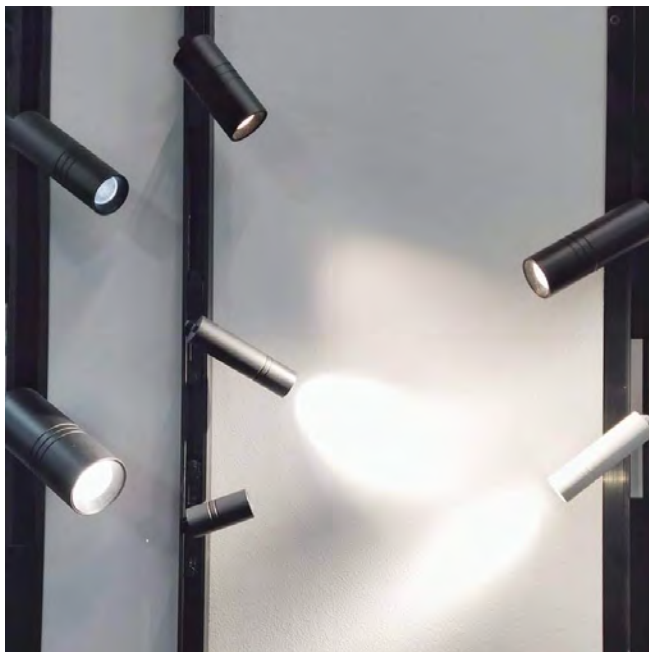


Magnetic LED light to be installed on 48 V magnetic track



● Black

Dimensions: Ø45 x 90mm



### CERTIFICATIONS

