

MAGNETIC LED track light OSAKA 7 W Dimmable Datasheet

| | |
|-------------------------|--|
| Number of heads | 1 |
| Mounting | Track mounting |
| Lamps description | LED 7 W, CRI 90 |
| Luminaire luminous flux | 80 lm/W |
| Voltage (V) | 48 |
| Environment | Indoor |
| Notes | MAGNETIC track lights are a new generation of innovative lighting systems. |

OPTICAL

| | |
|-----------------------------|-------------------------|
| Reflector finish | Aluminum, PVC |
| Aiming | Adjustable 360° and 90° |
| Light distribution symmetry | Symmetric |
| Beam angle | 24° |
| Color temperature | 3000K, 4000K |

ELECTRICAL

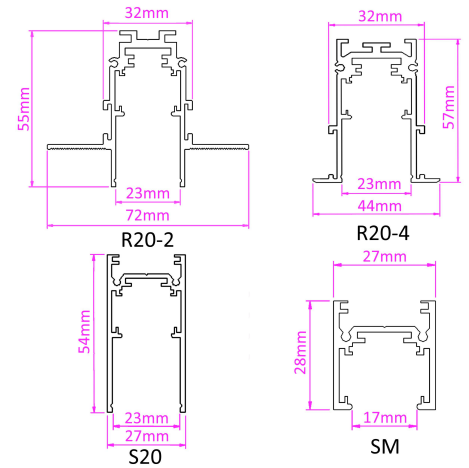
| | |
|----------------------|------------|
| Wattage | 7 W |
| Transformer mounting | Integral |
| Transformer type | Electronic |
| Frequency | 50-60 HZ |
| Voltage | 48 V |

PHYSICAL

| | |
|-----------------------|-------------------------------|
| Spot diameter (mm) | Ø 30 |
| Construction material | Aluminium, PVC |
| Weight (kg) | 0,18 |
| Luminaire lifespan | 30 000h |
| LED module | BRIDGELUX COB LED |
| Driver | Flicker free 48 V, 0-10 V DIM |
| Working temperature | 0 to +40 °C |
| Warranty | 3 years from purchase date |

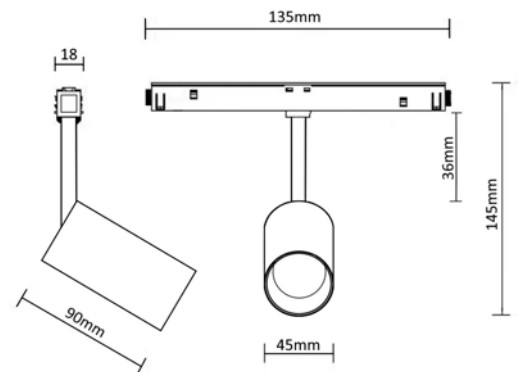
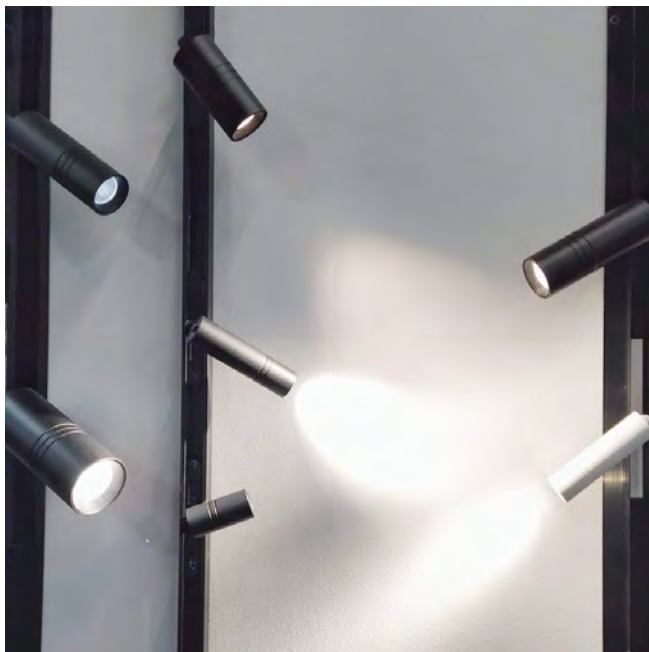


Magnetic LED light to be installed on 48 V magnetic track



● Black ● White

Dimensions: Ø45 x 90mm



CERTIFICATIONS

