

3 PHASE 4 WIRE TRACK DATASHEET



Model	Three Line Track System 4B
Name	3P4W 1.5m, 2m, 3m
Mounting	Surface mounted
Material	Aluminum alloy, copper wiring
Authentication	CE, ROHS
Environment	Indoor
Notes	Strip is made of insulating PVC, conductive with copper wire.

SPECIFICATION

Measuring Tools	Vernier caliper
Size (mm)	32.2 x 35.6
Effective opening (mm)	14.5 - 15.2
Center distance (mm)	21 - 22

3P4W tracks are designed for easy surface mounting on ceilings and walls, or recessed mounting in suspended ceilings. Lighting tracks can be suspended at any desired height.

ELECTRICAL

Max. safe load (Wattage)	2000W
Transformer mounting	Integral
Transformer type	Electronic
Maximum safe current	10A
Voltage	220-240V AC

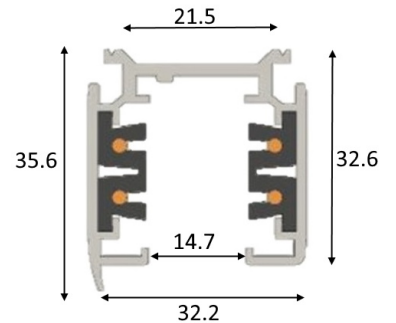
Colors:

- White
- Silver
- Black

Dimensions: 32.2 x 35.6mm

PHYSICAL

Construction material	6063 aluminum, copper
Gravity test	10kg weight
Working temperature	Operation: -30 to +40 °C



Adaptors 3-phase



CERTIFICATIONS

