



## LED Track Light BAMBERG Datasheet

Number of heads	1
Mounting	Surface mounting
Lamps description	LED 12 W, CRI 80+
Luminaire luminous flux	80 lm/W
Voltage (V)	220-240
Environment	Indoor
Notes	LED Track Light BAMBERG is designed with a modern look. Light direction is changeable 360 degrees.



● White ● Black

### OPTICAL

Reflector finish	Aluminum
Aiming	Adjustable 360° and 90°
Light distribution symmetry	Symmetric
Beam angle	36°
Color temperature	3000K

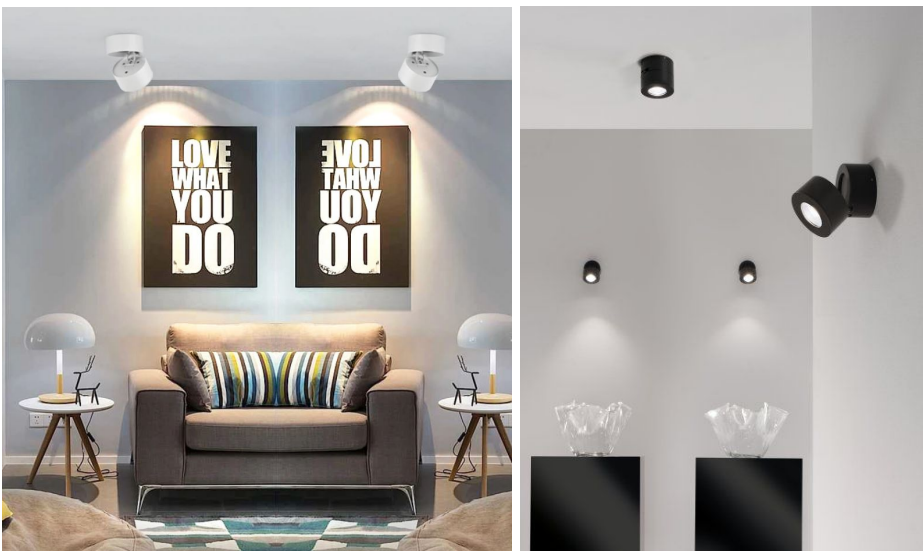
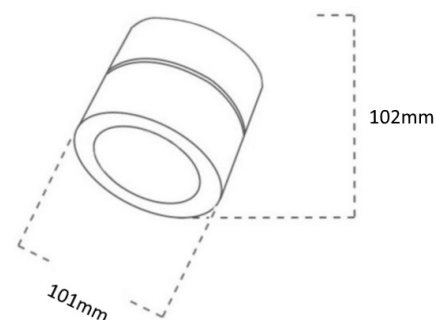
### ELECTRICAL

Wattage	12 W
Transformer mounting	Integral
Transformer type	Electronic
Frequency	50-60 HZ
Voltage	220-240 V

### PHYSICAL

Spot diameter (mm)	Ø 38
Construction material	Aluminium
Weight (kg)	0,6
Luminaire lifespan	30 000h
LED module	COB LED
Driver	Flicker free, isolated
Working temperature	0 to +40°C
Warranty	3 years from purchase date

Dimensions: Ø101 x 102mm



### CERTIFICATIONS

