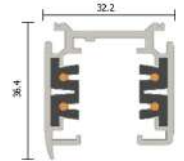


# LED Track Light FALKEN Datasheet



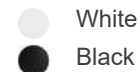
Number of heads	1
Mounting	Track mounting
Lamps description	LED 15W 20W 3000K, CRI 90+
Luminaire luminous flux	100W/Lm
Voltage (V)	220/240
Environment	Indoor
Notes	LED Track Light Falken is a sleek and modern track light with efficient design where the driver is located inside of the housing.

LED light to be installed on 3-phase 4 wire track.



## OPTICAL

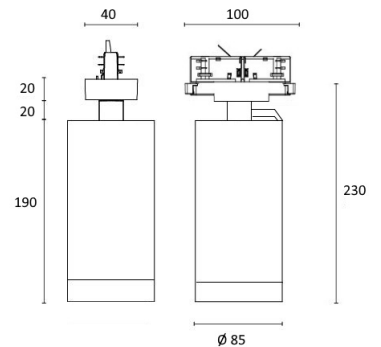
Reflector finish	Aluminum
Aiming	Adjustable 350 degrees
Light distribution symmetry	Symmetric
Beam angle	36° Medium
Color temperature	3000K



## ELECTRICAL

Wattage	15W 20W
Transformer mounting	Integral
Transformer type	Electronic
Frequency	50-60HZ
Voltage	110-240V AC

Dimensions: 230 x Ø85mm



## PHYSICAL

Spot diameter (mm)	Ø 85
Construction material	6063 Aluminium
Weight (kg)	1,0
Luminaire lifespan	50 000h
LED module	PHILIPS/BRIDGELUX COB LED 100 lm/W
Driver	Flicker free, PHILIPS SLIM, ALL-LOOKING Optional drivers: DALI, DIM
Working temperature	Operation: 0 to +40 °C

## CERTIFICATIONS

