



## LED Track Light FALKEN Datasheet

Number of heads	1
Mounting	Track mounting
Lamps description	LED 20 W, 30 W CRI 90
Luminaire luminous flux	100 lm/W
Voltage (V)	220-240
Environment	Indoor
Notes	LED Track Light Falken is a sleek and modern track light with an efficient design where the driver is located inside of the housing.

### OPTICAL

Reflector finish	Aluminum
Aiming	Adjustable 350° and 90°
Light distribution symmetry	Symmetric
Beam angle	36°
Color temperature	3000K

### ELECTRICAL

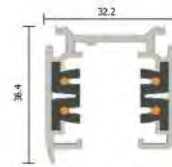
Wattage	20 W, 30 W
Transformer mounting	Integral
Transformer type	Electronic
Frequency	50-60 HZ
Voltage	220-240 V

### PHYSICAL

Spot diameter (mm)	Ø 85
Construction material	Aluminium, PVC
Weight (kg)	0,95
Luminaire lifespan	50 000h
LED module	BRIDGELUX COB LED
Driver	Flicker free, LIFUD Optional drivers: DIM
Working temperature	-30 to +40°C
Warranty	5 years from purchase date

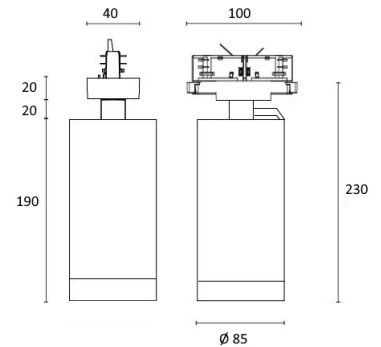


LED light to be installed on 3-phase 4 wire track.



● Black    ● White

Dimensions: Ø85 x 190mm



### CERTIFICATIONS

