

# LED Track Light HAMBURG Datasheet



Number of heads	1
Mounting	Track mounting
Lamps description	LED 10 W, CRI 80+
Luminaire luminous flux	100 lm/W
Voltage (V)	220-240
Environment	Indoor
Notes	LED Track Light HAMBURG is designed with a modern and an efficient look where the driver is located outside of the housing.

## OPTICAL

Reflector finish	Aluminum
Aiming	Adjustable 350° and 90°
Light distribution symmetry	Symmetric
Beam angle	36°
Color temperature	3000K

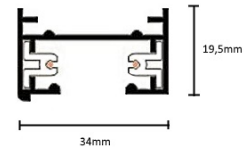
## ELECTRICAL

Wattage	10 W
Transformer mounting	Integral
Transformer type	Electronic
Frequency	50-60 HZ
Voltage	220-240 V

## PHYSICAL

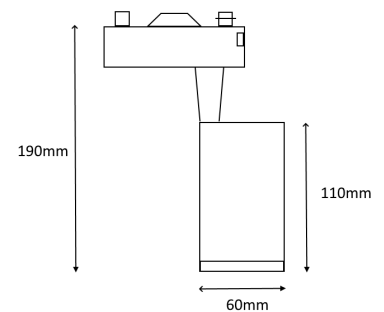
Spot diameter (mm)	Ø 60
Construction material	Aluminium
Weight (kg)	0,5
Luminaire lifespan	30 000h
LED module	PHILIPS/BRIDGELUX COB LED
Driver	LIFUD flicker free
Working temperature	0 to +40°C
Warranty	3 years from purchase date

LED light to be installed on 1-phase  
2 wire track.



● Black    ● White

Dimensions: Ø60 x 190mm



## CERTIFICATIONS

