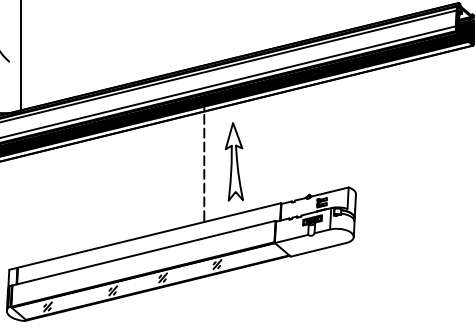
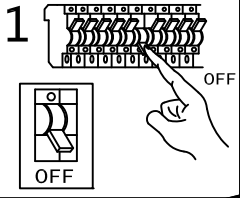
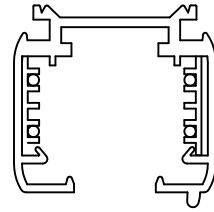
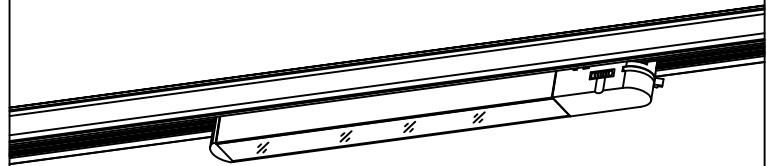


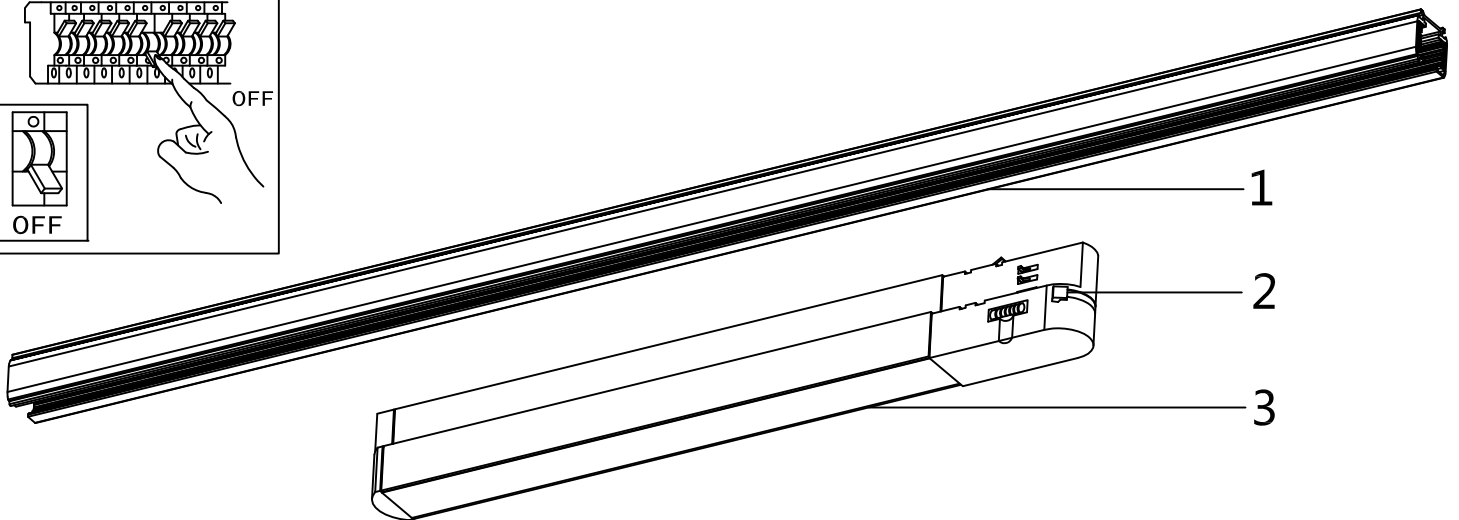
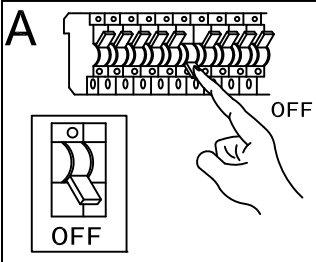
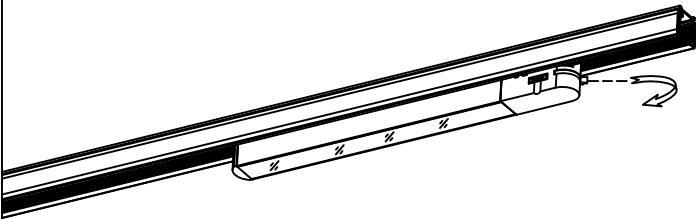
**YES** ✓



3



2



### Installation Instructions:

- 1: Turn off the power before installing the lamp, as shown in Figure "A".
- 2: Insert correctly LF linear track lamp "3" into the track system "1" (4 lines and 3 circuits)
- 3: Turn the safety switch "2" by 180 degrees to complete the installation.