

MAGNETIC LED track light TOKYO "I" 10 W Dimmable Datasheet

| | |
|-------------------------|--|
| Number of heads | 1 |
| Mounting | Track mounting |
| Lamps description | LED 10 W, CRI 90 |
| Luminaire luminous flux | 80 lm/W |
| Voltage (V) | 48 |
| Environment | Indoor |
| Notes | MAGNETIC track lights are a new generation of innovative lighting systems. |



OPTICAL

| | |
|-----------------------------|---------------|
| Aiming | Fixed |
| Light distribution symmetry | Symmetric |
| Beam angle | 120° |
| Color temperature | 3000K / 4000K |

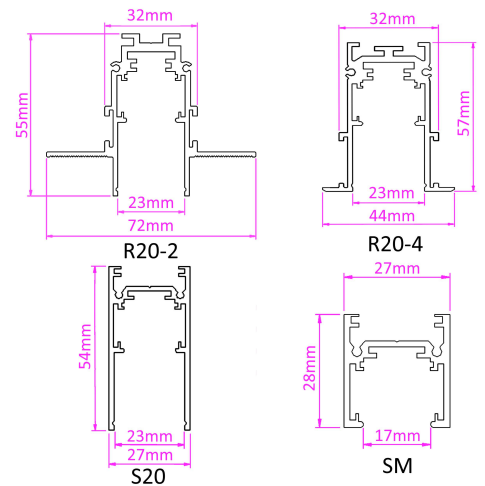
ELECTRICAL

| | |
|----------------------|------------|
| Wattage | 10 W |
| Transformer mounting | Integral |
| Transformer type | Electronic |
| Frequency | 50-60 HZ |
| Voltage | 48 V |

PHYSICAL

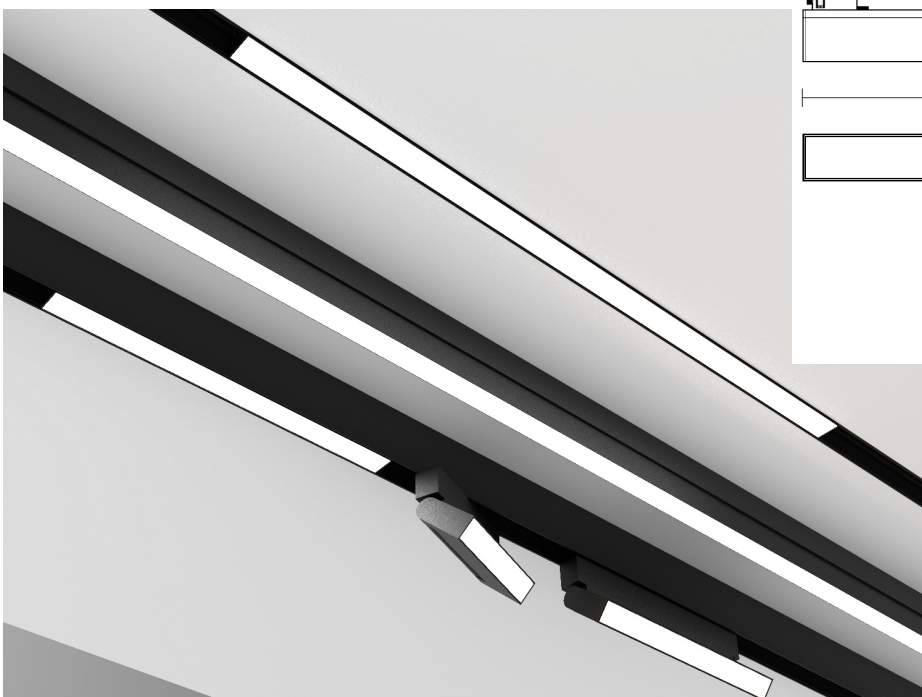
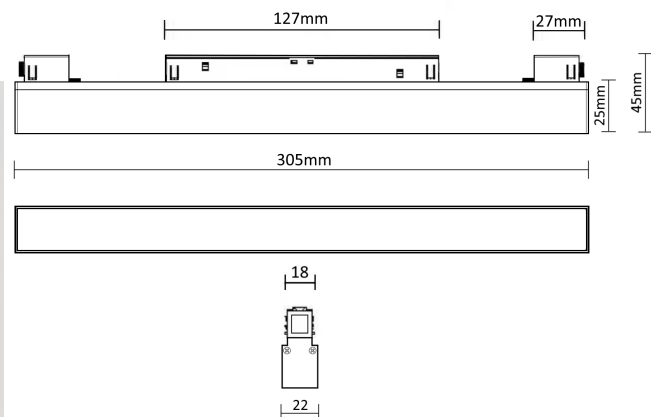
| | |
|-----------------------|-------------------------------|
| Construction material | Aluminium, PVC |
| Weight (kg) | 0,18 |
| Luminaire lifespan | 30 000h |
| LED module | OSRAM COB LED 100 lm/W |
| Driver | Flicker free 48 V, 0-10 V DIM |
| Working temperature | 0 to +40 °C |
| Warranty | 3 years from purchase date |

Magnetic LED light to be installed on 48 V magnetic track



● Black ● White

Dimensions: 305 x 25mm



CERTIFICATIONS

