

LED Light BERGEN 10W Datasheet

Number of heads	1
Mounting	Surface mounting
Lamps description	LED 10W, CRI 90
Luminaire luminous flux	80 lm/W
Voltage (V)	220-240
Environment	Indoor
Notes	LED Surface Light BERGEN is designed with a modern look.



OPTICAL

Reflector finish	Aluminum
Aiming	Fixed
Light distribution symmetry	Symmetric
Beam angle	40°
Color temperature	3000K

ELECTRICAL

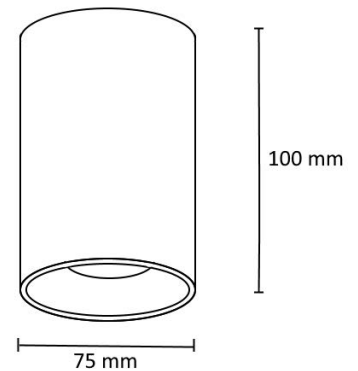
Wattage	10W
Transformer mounting	Integral
Transformer type	Electronic
Frequency	50-60 HZ
Voltage	220-240 V

PHYSICAL

Spot diameter (mm)	Ø 35
Construction material	Aluminium, PVC
Weight (kg)	0,42
Luminaire lifespan	50 000h
LED module	COB
Driver	Flicker free
Working temperature	-20°C to +40°C
Warranty	3 years from purchase date

● White ● Black

Dimensions: Ø75 x 100mm



CERTIFICATIONS

