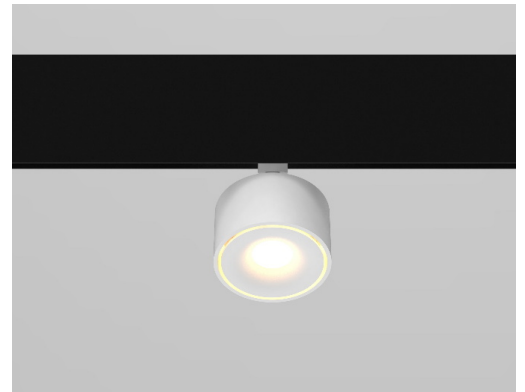


## MAGNETIC LED track light KOSAI 9 W Datasheet

Number of heads	1
Mounting	Track mounting
Lamps description	LED 9 W, CRI 90
Luminaire luminous flux	100 lm/W
Voltage (V)	48
Environment	Indoor
Notes	MAGNETIC track lights are a new generation of innovative lighting systems.



### OPTICAL

Reflector finish	Aluminum, PVC
Aiming	Adjustable 360° and 90°
Light distribution symmetry	Symmetric
Beam angle	15°
Color temperature	3000K / 4000K

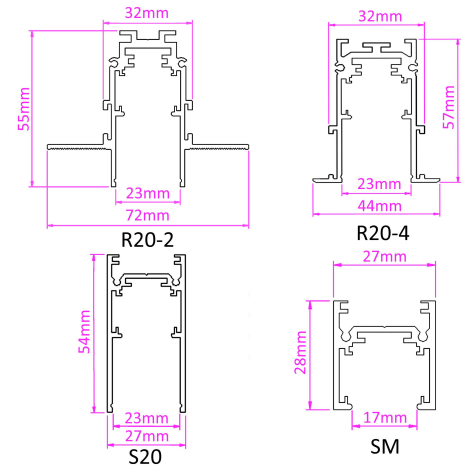
### ELECTRICAL

Wattage	9 W
Transformer mounting	Integral
Transformer type	Electronic
Frequency	50-60 HZ
Voltage	48 V

### PHYSICAL

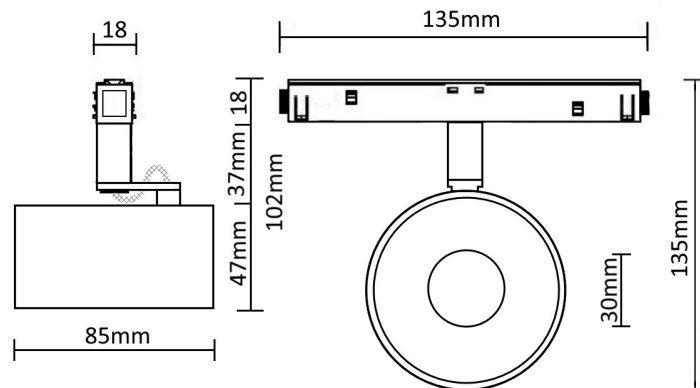
Spot diameter (mm)	Ø 30
Construction material	Aluminium, PVC
Weight (kg)	0,39
Luminaire lifespan	30 000h
LED module	BRIDGELUX COB LED 100 lm/W
Driver	Flicker free 48 V
Working temperature	0 to +40 °C
Warranty	3 years from purchase date

Magnetic LED light to be installed on 48 V magnetic track



● Black ● White

Dimensions: Ø85 x 47mm



### CERTIFICATIONS

