

MAGNETIC LED track light NAGANO FLEX 6 W Datasheet

Number of heads	1
Mounting	Track mounting
Lamps description	LED 6 W, CRI 90
Luminaire luminous flux	100 lm/W
Voltage (V)	48
Environment	Indoor
Notes	MAGNETIC track lights are a new generation of innovative lighting systems.



OPTICAL

Reflector finish	Aluminum, PVC
Aiming	Adjustable 180°
Light distribution symmetry	Symmetric
Beam angle	24°
Color temperature	3000K / 4000K

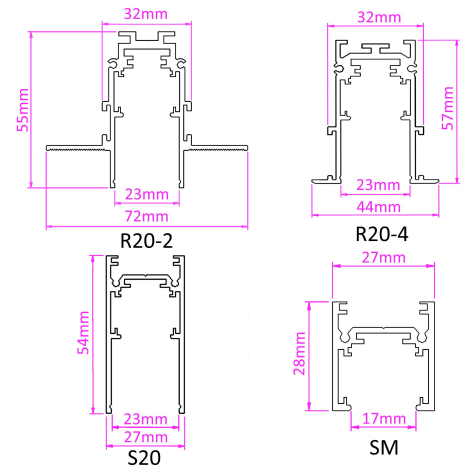
ELECTRICAL

Wattage	6 W
Transformer mounting	Integral
Transformer type	Electronic
Frequency	50-60 HZ
Voltage	48 V

PHYSICAL

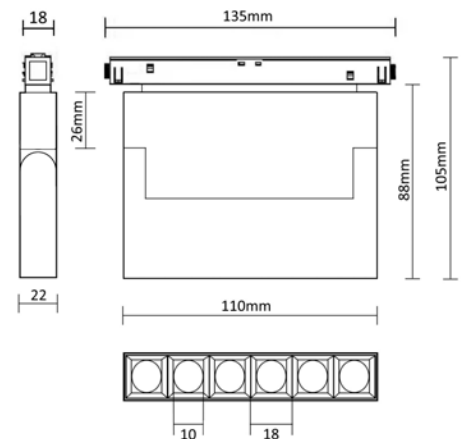
Spot diameter (mm)	Ø 10
Construction material	Aluminium, PVC
Weight (kg)	0,21
Luminaire lifespan	30 000h
LED module	OSRAM COB LED 100 lm/W
Driver	Flicker free 48 V
Working temperature	0 to +40 °C
Warranty	3 years from purchase date

Magnetic LED light to be installed on 48 V magnetic track



● Black ● White

Dimensions: 110 x 88mm



CERTIFICATIONS

