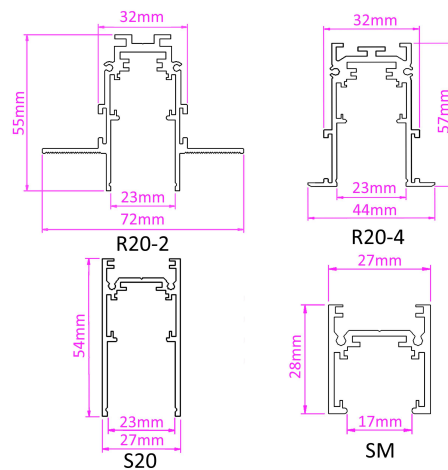


## MAGNETIC LED track light YOKOHAMA 12 W Dimmable Datasheet

Number of heads	1
Mounting	Track mounting
Lamps description	LED 12 W, CRI 90
Luminaire luminous flux	80 lm/W
Voltage (V)	48
Environment	Indoor
Notes	MAGNETIC track lights are a new generation of innovative lighting systems.

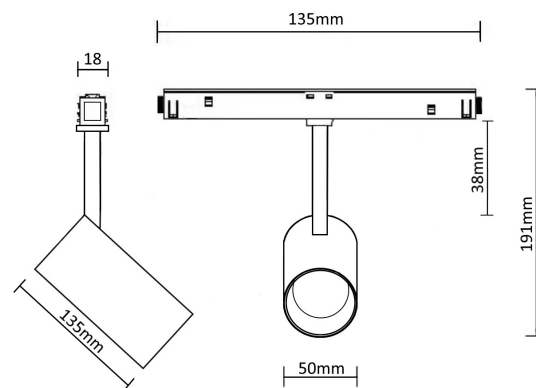


Magnetic LED light to be installed on 48 V magnetic track



● Black ● White

Dimensions: Ø50 x 135mm



### OPTICAL

Reflector finish	Aluminum, PVC
Aiming	Adjustable 360° and 90°
Light distribution symmetry	Symmetric
Beam angle	15°
Color temperature	3000K / 4000K

### ELECTRICAL

Wattage	12 W
Transformer mounting	Integral
Transformer type	Electronic
Frequency	50-60 HZ
Voltage	48 V

### PHYSICAL

Spot diameter (mm)	Ø 32
Construction material	Aluminium, PVC
Weight (kg)	0,3
Luminaire lifespan	30 000h
LED module	BRIDGELUX COB LED 100 lm/W
Driver	Flicker free 48 V, 0-10 V DIM
Working temperature	0 to +40 °C
Warranty	3 years from purchase date

### CERTIFICATIONS

