

PRODUCT DATASHEET

NIDA140_18W_LED_2520

Dust and water resistant LED luminaire, IP65, IK08,
Electronic, fixed output control gear.
Housing: white Polycarbonate (PC). Diffuser:
Polycarbonate (PC) . For surface or suspended mounting
Supplied with quick-fix brackets, for surface
mounting. Complete with 4000K LED.
The luminaire could be connected to the line,
quick connection.



IP65

IK08

146,17 lm/W

TECHNICAL DATA

Product code

6007000016

Electrical data

Nominal wattage	18 W
Operating wattage	17.24 W
Nominal Voltage	165-240 V
Power factor	≥0.90
Mains frequency	50/60 Hz

Photometrical data

Color temperature (CCT)	4000K
Luminous efficiency	146,17 lm/W
Luminous flux	2520 lm
Color rendering index (CRI)	≥80
Unified Glare Rating (UGR)	<21,5
Flicker index	Flicker-Free

Light technical data

Beam angle	120°
------------	------

Dimensions and weight

Dimension	680x60x60 mm
Weight Neto	0,598 kg

Materials

Body material	Polycarbonate (PC)
Housing color	White
Difuser material	Polycarbonate (PC)

Operating conditions

Ambient temperature range	-20...+65°C
---------------------------	-------------

Lifespan

Lifespan L80/B50 at 25°	50000 h
Led Brand	LG
Driver	OSRAM

Mounting information

Mounting type	Surfaced / Suspended
Mounting location	Ceiling / Wall

Capabilities	
Dimmable	-
Type of connection	Via push wire terminal blocks
Standards and Certificates	
Protection class IK	IK08
Type of protection IP	IP65
Standards	CE, RoHS
Warranty	36 months

LOGISTICAL DATA

Main package

Product code	6007000016
Package	Carton box
Units in carton	1 pcs
Package diameters, weight bruto	690x64x64 mm, 0,680 kg
Product EAN code	4772007010905

Second package

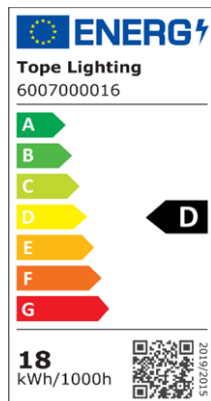
Package	Carton box
Units in second package	9 pcs
Package diameters, weight bruto	705x205x205 mm, 6,506 kg
ShipPing carton EAN code	4772007010912

ACCESSORIES

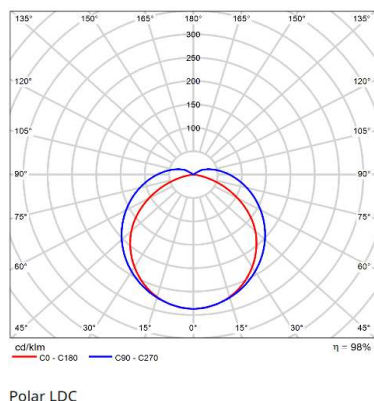
6007800001 NIDA_CONNECTOR



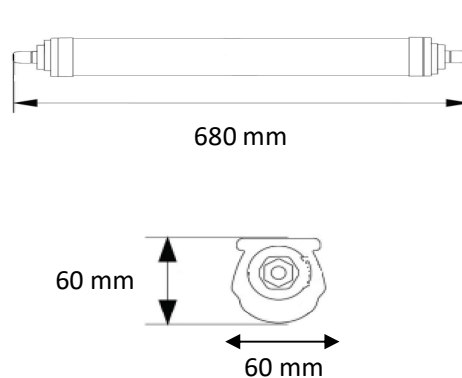
ENERGY EFFICIENCY



PHOTOMETRIC DIAGRAM



DIMENSIONS



ALL FAMILY PRODUCTS

- 6007000013 NIDA140_18W_LED_CCT_2520
- 6007000014 NIDA140_36W_LED_CCT_5040
- 6007000015 NIDA140_50W_LED_CCT_7000
- 6007000016 NIDA140_18W_LED_2520
- 6007000017 NIDA140_36W_LED_5040
- 6007000018 NIDA140_50W_LED_7000

