

BERN LED DIMMABLE, CCT ADJUSTABLE DOWNLIGHT

PRODUCT DATASHEET
BERN_12W_R_LED_960

Simple construction LED downlight
 Electronic 2.4Gz wireless dimmable and CCT
 adjustable output control. Body: aluminum
 white painted (RAL9016) Diffuser: Polycarbonate
 (PC), UV - stabilised. IP40, IK05.
 Complete with 3000K - 6500K.



IP40

IK05

84,09 lm/W

TECHNICAL DATA

Product code

6003400002

Electrical data

Nominal wattage	12 W
Operating wattage	11,82 W
Nominal Voltage	165-240 V
Power factor	≥0.50
Mains frequency	50/60 Hz

Photometrical data

Color temperature (CCT)	3000 - 6500 K
Luminous efficiency	84,09 lm/W
Luminous flux	994 lm
Color rendering index (CRI)	≥80
Unified Glare Rating (UGR)	<21,5
Flicker index	Flicker-Free

Light technical data

Beam angle	120°
------------	------

Dimencions and weight

Diameter	Ø180 mm
Height	55 mm
Weight Neto	0,372 kg
Cut out hole size	Ø135mm

Materials

Body material	Aluminum
Housing color	White
Difuser material	Polycarbonate (PC), UV-stabilised.

Operating conditions

Ambient temperature range	-20...+65°C
---------------------------	-------------

Lifespan

Lifespan L80/B50 at 25°	30000 h
Led Brand	SANAN
Driver	Integrated

Mounting information

Mounting type	Recessed
Mounting location	Ceiling
Capabilities	
Dimmable	To 1%
Type of connection	Wires 2-pole
Standards and Certificates	
Protection class IK	IK05
Type of protection IP	IP40
Standards	CE, RoHS
Warranty	36 months

LOGISTICAL DATA

Main package

Product code	6003400002
Package	Carton box
Units in carton	1 pcs
Package diameters, weight bruto	240x200x60 mm , 0,448 kg
Product EAN code	4772007006960

Second package

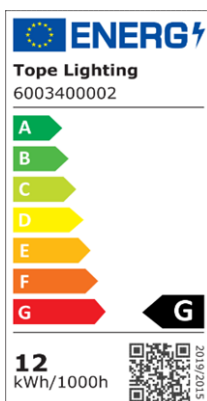
Package	Carton box
Units in second package	32 pcs
Package diameters, weight bruto	500x500x430 mm , 15,51 kg
ShipPing carton EAN code	4772007007387

ACCESSORIES

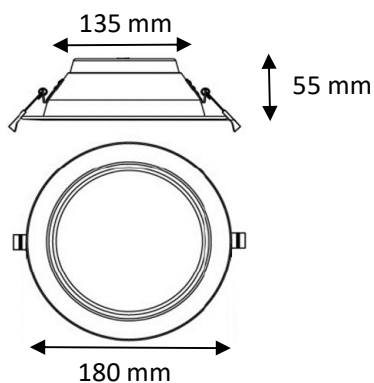
6003410001 BERN_2.4G_REMOTE



ENERGY EFFICIENCY



DIMENSIONS



ALL FAMILY PRODUCTS

6003400001 BERN80_3x4W_R_LED_850
 6003400002 BERN80_12W_R_LED_960
 6003400003 BERN80_18W_R_LED_1440
 6003410001 Remote control

