

## PRODUCT DATASHEET

### NIDA140\_50W\_LED\_7000

Dust and water resistant LED luminaire, IP65, IK08,  
Electronic, fixed output control gear.  
Housing: white Polycarbonate (PC). Diffuser:  
Polycarbonate (PC) . For surface or suspended mounting  
Supplied with quick-fix brackets, for surface  
mounting. Complete with 4000K LED.  
The luminaire could be connected to the line,  
quick connection.



IP65

IK08

142,74 lm/W

#### TECHNICAL DATA

Product code

6007000018

##### Electrical data

Nominal wattage	50 W
Operating wattage	49.04 W
Nominal Voltage	165-240 V
Power factor	≥0.90
Mains frequency	50/60 Hz

##### Photometrical data

Color temperature (CCT)	4000K
Luminous efficiency	142,74 lm/W
Luminous flux	7000 lm
Color rendering index (CRI)	≥80
Unified Glare Rating (UGR)	<21,5
Flicker index	Flicker-Free

##### Light technical data

Beam angle	120°
------------	------

##### Dimensions and weight

Dimension	1540x60x60 mm
Weight Neto	1,036 kg

##### Materials

Body material	Polycarbonate (PC)
Housing color	White
Difuser material	Polycarbonate (PC)

##### Operating conditions

Ambient temperature range	-20...+65°C
---------------------------	-------------

##### Lifespan

Lifespan L80/B50 at 25°	50000 h
Led Brand	LG
Driver	OSRAM

##### Mounting information

Mounting type	Surfaced / Suspended
Mounting location	Ceiling / Wall

## Capabilities

Dimmable	-
Type of connection	Via push wire terminal blocks
Standards and Certificates	
Protection class IK	IK08
Type of protection IP	IP65
Standards	CE, RoHS
Warranty	36 months

## LOGISTICAL DATA

### Main package

Product code	6007000018
Package	Carton box
Units in carton	1 pcs
Package diameters, weight bruto	1530x64x64 mm, 1,192 kg
Product EAN code	4772007010943

### Second package

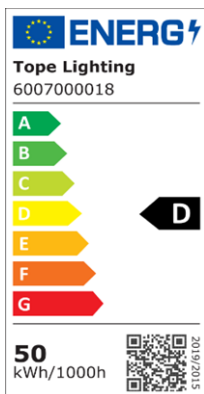
Package	Carton box
Units in second package	9 pcs
Package diameters, weight bruto	1545x210x210 mm, 11,500 kg
ShipPing carton EAN code	4772007010950

## ACCESSORIES

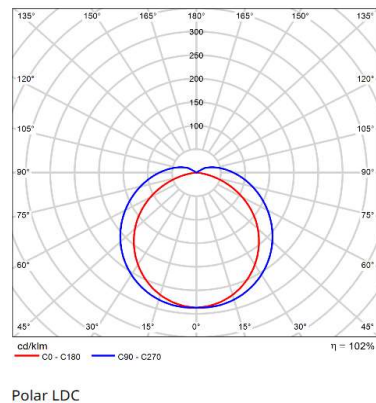
6007800001 NIDA\_CONNECTOR



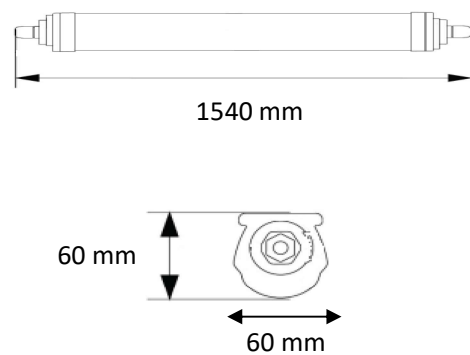
## ENERGY EFFICIENCY



## PHOTOMETRIC DIAGRAM



## DIMENSIONS



## ALL FAMILY PRODUCTS

- 6007000013 NIDA140\_18W\_LED\_CCT\_2520
- 6007000014 NIDA140\_36W\_LED\_CCT\_5040
- 6007000015 NIDA140\_50W\_LED\_CCT\_7000
- 6007000016 NIDA140\_18W\_LED\_2520
- 6007000017 NIDA140\_36W\_LED\_5040
- 6007000018 NIDA140\_50W\_LED\_7000



TopE Lighting is constantly developing and improving its products. The right is reserved to change specifications without prior notification or public announcement.