

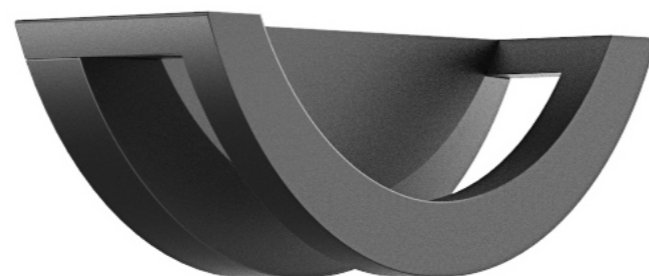
Entry / ECO

Standard / STD

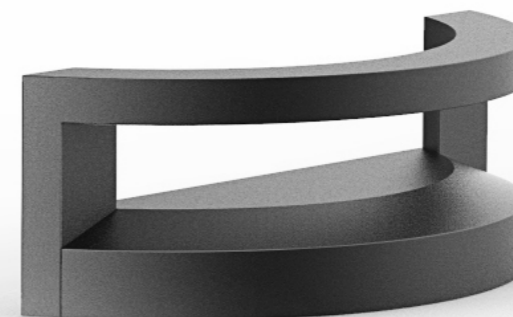
Professional / PRO

ODM & OEM

Intelligent / INT



LED Wall Light
WL46 Series





Introduction

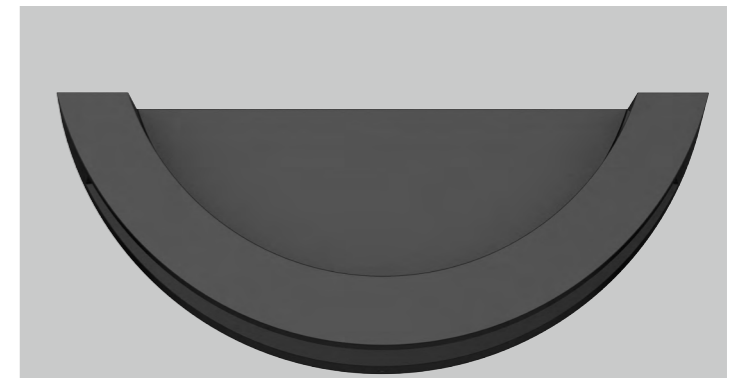
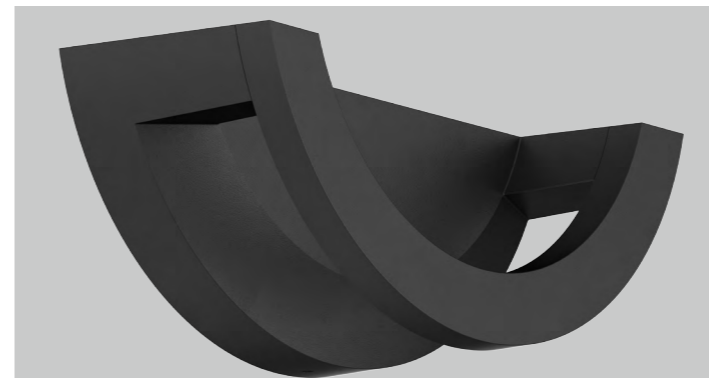
This wall light won 2020 IF Award. It' used a special optical structure to deliver a layering of indirect and soft light, just like a rainbow, so we also call it Rainbow. Adopt high lumen SMD LED light source with high CRI, aluminum body with great thermal management. It can be installed individually as a wall light to create a charming atmosphere or in groups, to create various shapes.

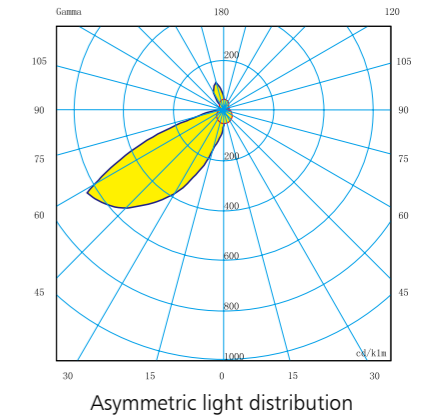
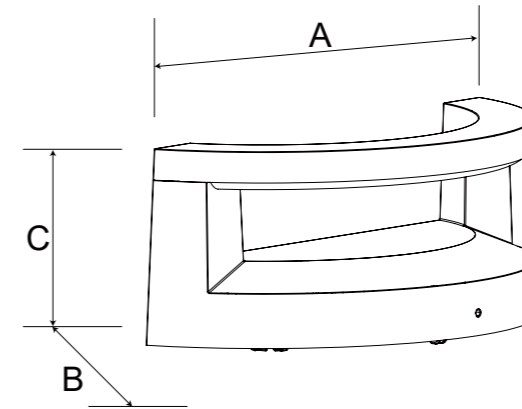
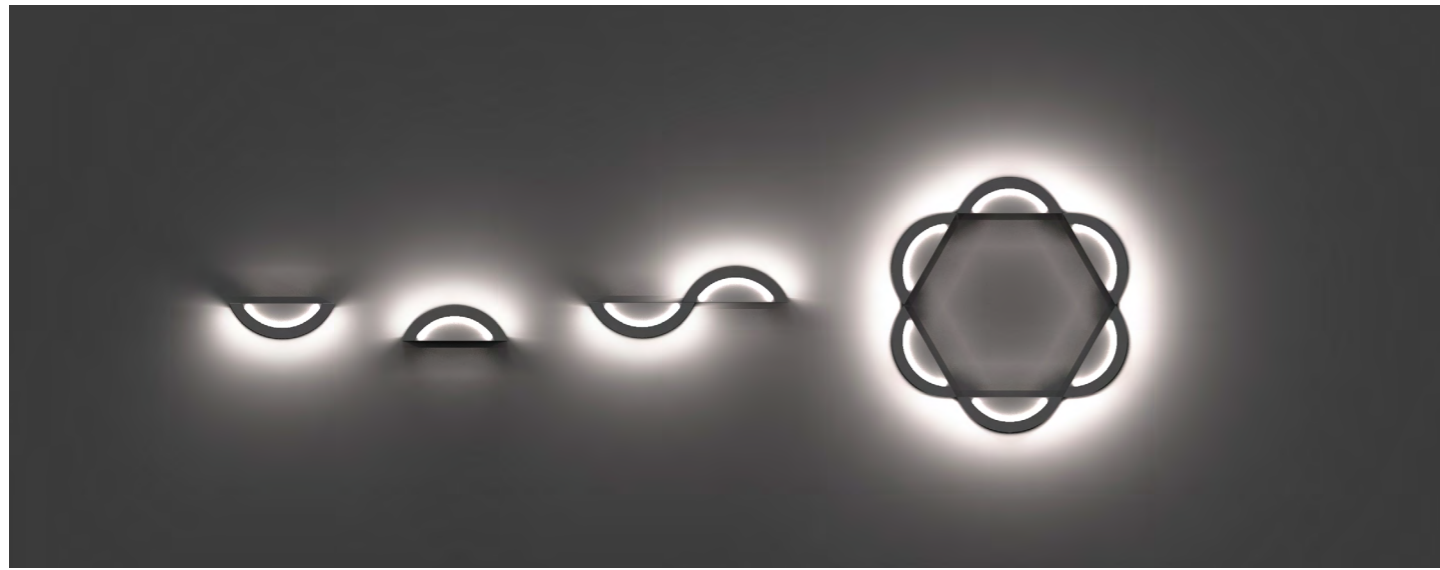
Features

- With IF design Award.
- Indirect lighting design offers a great visual experience.
- Special shape design with charming light spot.
- IP65 IK08 high protection.
- Various DIY shape available.

Application Areas

Townhouse, hotel, restaurant. Garden area: Pathway, Etc...





Technical Data Sheet

Code No.	WL46-10W	
Dimension(mm)	204×81×78	
Cutout (mm)	-	
Watt(W)	10W	
Rated Input Voltage(V)	AC200-240V	
Input Voltage(V)	AC230V	
LED Module Input	DC72V 135mA	
Light Source	SMD	
SDCM	<6	
CCT(K)	1-CCT: 3000K/4000K/5000K/5700K	
CCT Selection DIP Switch	NO	
Luminous Flux (lm) ±5%	Non-DIM	1-CCT 490-530
	DIM	-
	Non-DIM	3-CCT -
	DIM	-
CRI	Ra>80	
Beam Angle (°)	50°	
UGR	-	
LED Driver	Built-in	
Dimming Option	-	
Sensor	-	
Emergency Kits	-	
Electrical Class	Class I	
Ingress Protection (IP Rating)	IP65	
Impact Resistance (IK Rating)	IK08	
Product Finishing(Base)	Black RAL9005	
Materials of Optics	PC	
Materials of Housing	Aluminum	
Lifetime (hr)	50,000h	
Glow wire test (°C)	850°C	
Operating Temp. (°C)	-20°C ~45°C	
Storage Temp. (°C)	-20°C ~65°C	
Installation	Wall mount	

Measurement

Code	Dimension(mm)			Size(mm)	Product Weight (Kg)		Package weight (Kg)		Carton Size(cm)	Qty/CTN	20GP (pcs)	40HQ (pcs)
	A	B	C		N.W/PC	G.W/PC	N.W/CTN	G.W/CTN				
WL46-10W	204	81	78	204×81×78	0.502	0.604	14.5	15.4	54.5×37×45	24	7440	16896

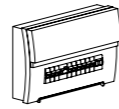
Driver Datasheet (Non-dimmable)

Total load wattage		10W
Output	Output Voltage range	65-75V
	Rated output current	135mA
	Line Regulation	±5%
	Setup, Rise Time	≤0.5S
	Flickering Index	-
Input	Input Voltage	AC200-240V
	Rated Input Voltage(V)	230V
	Frequency	50/60Hz
	Input Current	0.06A
	Rated Input Current	0.05A
	Power Factor	0.9
	THD	-
	Efficiency	≥88%
Protection	No load wattage	<0.5W
	Short circuit protection	Pass
	Over voltage protection	Pass
Safety &EMC	Over temperature protection	Pass
	Withstand voltage	-
	Isolation Resistance	I/P-O/P: 500VDC, ≥100M Ω
	Surge	IEC61000-4-5(L-N:0.5KV, L/N-PE:1KV)
Safety &EMC	EMC Emission	EN55015, EN61000-3-2
	EMC Immunity	EN61000-4-2,3,4,5,6,8,11; EN61547

Installation Procedure

WARNING ⚡

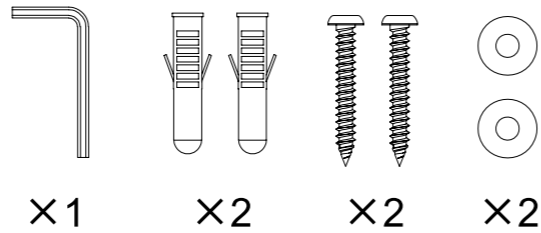
1. Switch off before installation / maintenance.
2. Switch on only after complete installation and examination of the circuit.
3. Professional electrician for installation and maintenance only.



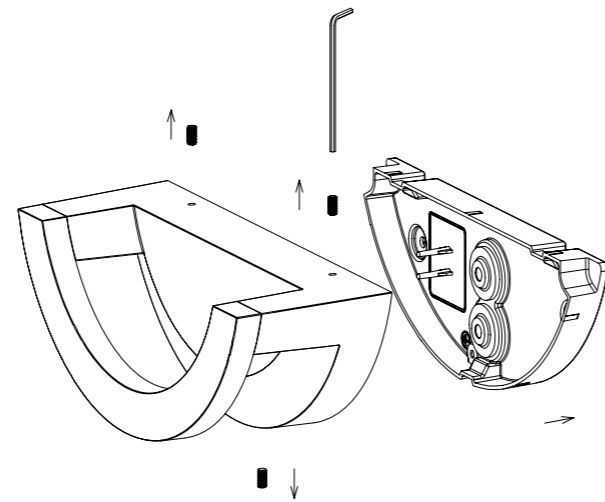
Turn Off power supply before starting any installation. Read instructions & check you have all the tools & accessories to complete the installation correctly.

Wall mount installation

Accessory Package

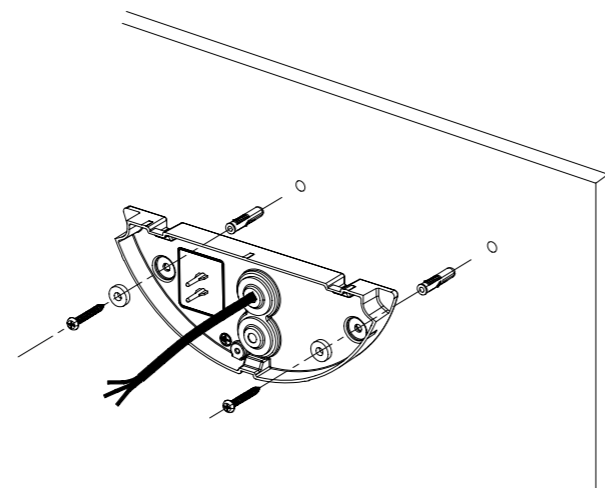


Step 1



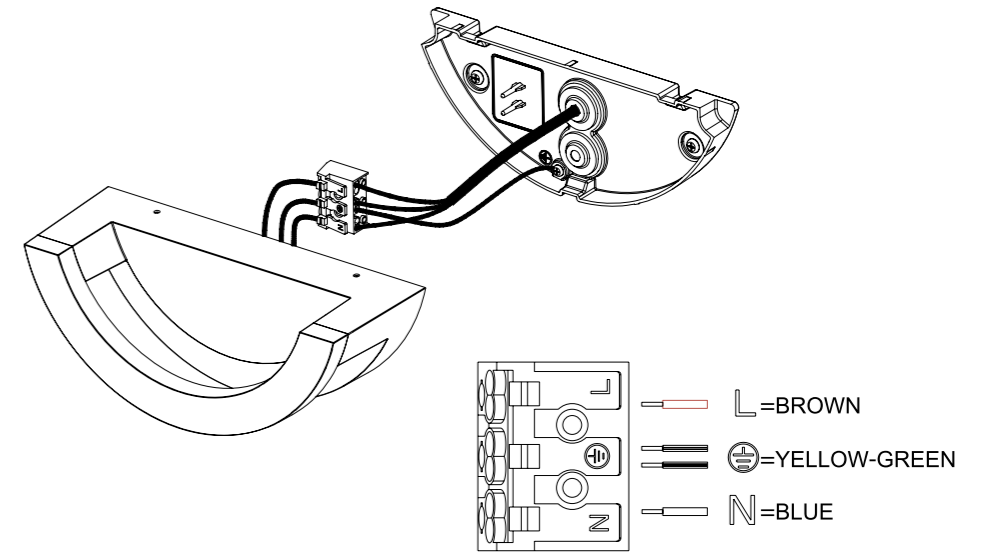
Remove the screws and open the back plate.

Step 2



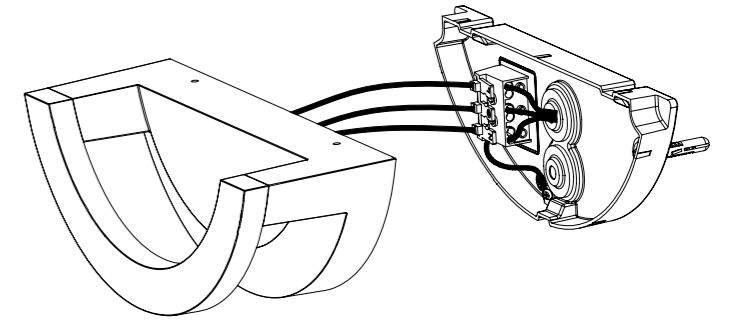
Wire through the waterproof rubber mat, fix the back plate on surface.

Step 3



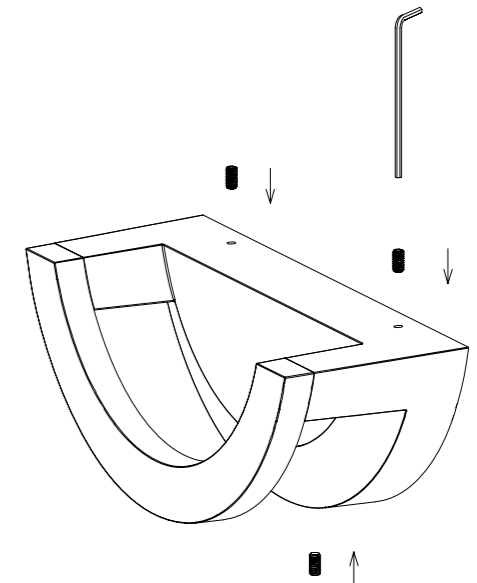
Connect AC wires correspondingly.

Step 4



Fix the connector in correct position on back plate.

Step 5



Lock the screws to fix the lamp.



UPSHINE | *Up to Shine, there is life*
光之上，是生活

▼ www.upshine.com info@upshine.com TEL: +86 755 2919 7332 ▼

Add: 2nd building Dingfeng High-Tech Zone, Fuyuan 1st road, Fu Yong Sub-district, Bao'an, Shenzhen China