

Entry /ECO

Standard /STD

Professional/PRO

ODM & OEM

Intelligent/INT



LED Downlight

DL259 Series



White



Black



Silver





## Introduction

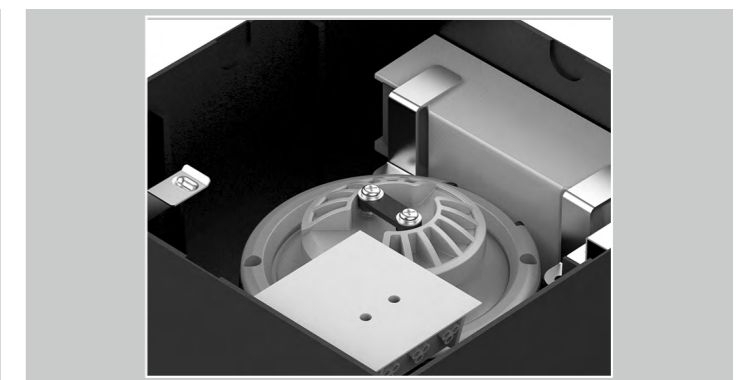
This is a gyro as design cube downlight, clean outlooking without any screws. It adopts high lumen COB LED light source, high CRI90 CRI95 options, also available as Dim to Warm version (2000K~3000K). The aluminum housing provides a great thermal management, which ensures a long lifespan. The luminaire is tilted 23° in all directions (360°), perfectly meet the demands of different lighting angle. Slide mounting design make an easier installation and maintenance.

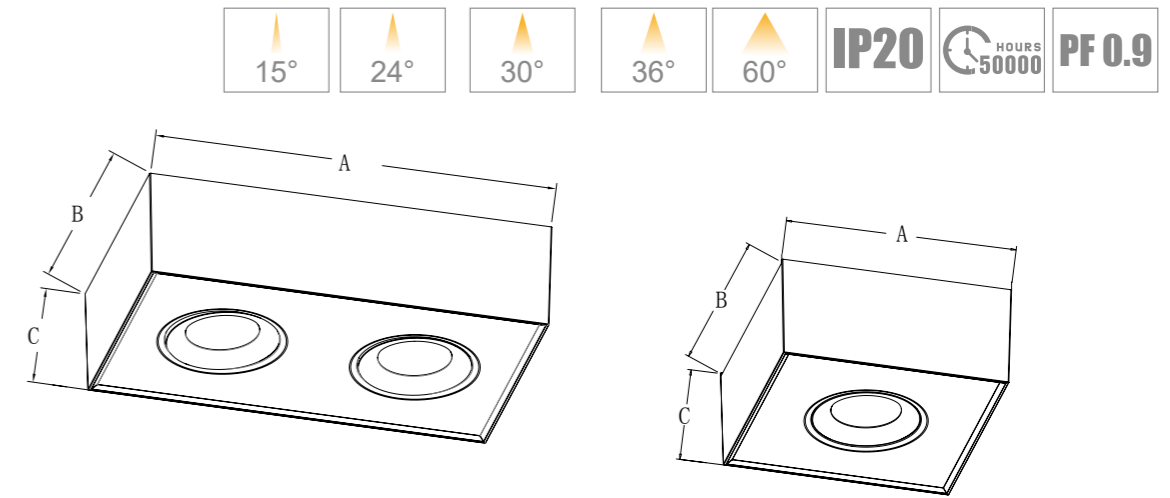
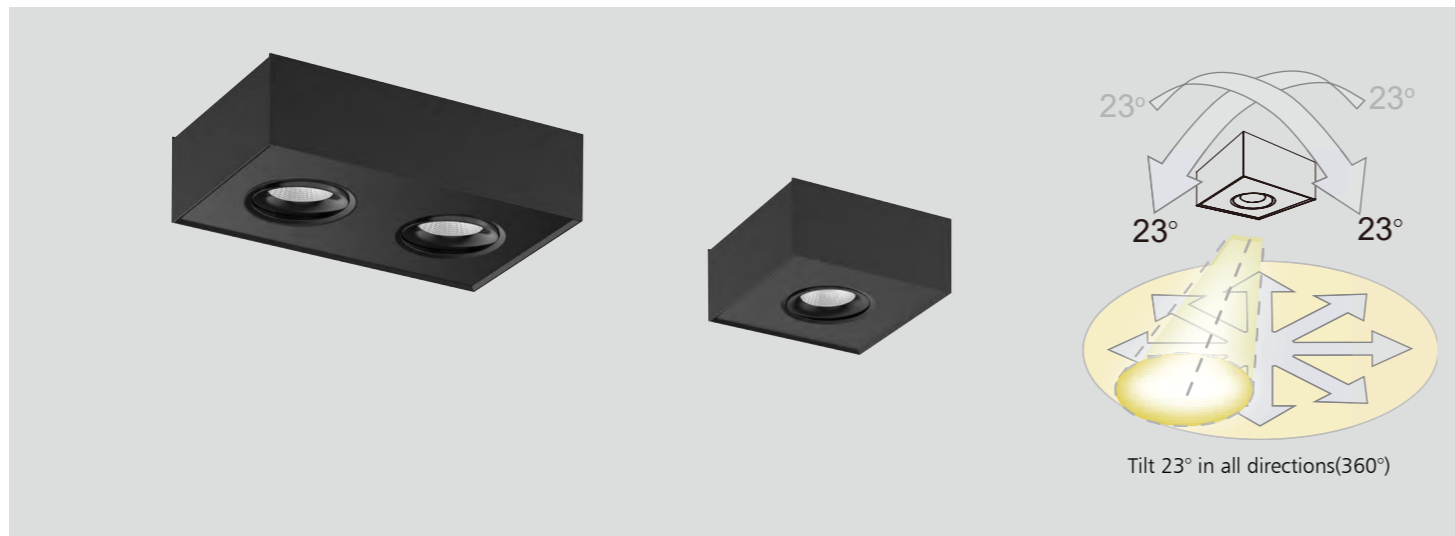
## Features

- Quick install: fast connector on bracket, slide mounting design make an easier installation.
- Gyro design in all direction 360°.
- Dim to warm 2000-3000K option.
- CRI90 for single CCT, CRI97 for Dim-to-Warm version.
- Finished color: White/Black/Silver.
- Flicker free internal driver.
- Triac dimming available.

## Application Areas

It is designed for general lighting applications in hotel, home, office, shop etc. It is also widely used for public areas such as stairway, lobby, reception, corridors etc.





## Technical Data Sheet

Code No.	DL259-8W-D	DL259-16W-D	DL259-16W-DW	DL259-8W-DW		
Dimension(mm)	135*135*60	224*135*60	224*135*60	135*135*60		
Cutout (mm)	-					
Watt(W)	8W	16W	16W	8W		
Rated Input Voltage(V)	AC230V					
Input Voltage(V)	AC200-240V					
LED Module Input	DC33-38V					
Light Source	COB					
SDCM	<6					
CCT(K)	1-CCT: 2700K/3000K/4000K/5000K		WW: 2000-3000K			
CCT Selection DIP Switch	NO		YES			
Luminous Flux (lm) ±5%	Non-DIM	1-CCT	600-850	1400-1600	-	-
			DIM	570-800	1350-1550	-
	Non-DIM	CCT Change	-	-	-	-
			DIM	-	-	880-950
CRI	90/95		90-97			
Beam Angle (°)	15°/30°/36°/60°		15°/24°/36°/60°			
UGR	-					
LED Driver	Built-in					
Dimming Option	Triac					
Sensor	-					
Emergency Kits	-					
Electrical Class	Class I					
Ingress Protection (IP Rating)	IP20					
Impact Resistance (IK Rating)	-					
Product Finishing(Base)	White/Black/Silver					
Materials of Optics	PC					
Materials of Housing	PC/Die-casting					
Lifetime (hr)	50,000h					
Glow wire test (°C)	750°C					
Operating Temp. (°C)	-20°C~ 40°C					
Storage Temp. (°C)	-20°C~ 65°C					
Installation	Surface mount					

## Measurement

Code	Dimension(mm)			Size(mm)	Product Weight (Kg)		Package weight (Kg)		Carton Size(cm)	Qty/CTN	20GP (pcs)	40HQ (pcs)
	A	B	C		N.W/PC	G.W/PC	N.W/CTN	G.W/CTN				
DL259-8W-D	135	135	60	135*135*60	0.58	0.63	15.12	16.4	57.5*37.5*39	24	8448	18888
DL259-8W-DW	135	135	60	135*135*60	0.58	0.63	15.12	16.4	57.5*37.5*39	24	8448	18888
DL259-16W-D	224	135	60	224*135*60	0.91	1.01	12.12	13.4	57*38*29.5	12	5616	13200
DL259-16W-DW	224	135	60	224*135*60	0.91	1.01	12.12	13.4	57*38*29.5	12	5616	13200

## Driver Datasheet (Non-dimmable)

Total load wattage		8W	16W
Output	Output Voltage range	DC30-40V	
	Rated output current	200mA	400mA
	Line Regulation	±5%	
	Setup, Rise Time	<0.5S	
	Flickering Index	0.5%(NO RISK)	
Input	Input Voltage	AC220-240V	
	Rated Input Voltage(V)	AC230V	
	Frequency	50HZ	
	Input Current	0.05A	0.1A
	Rated Input Current	0.04A	0.09A
	Power Factor	0.9	
	THD	-	
	Efficiency	≥86%	≥88%
	No load wattage	0.5W	
Protection	Short circuit protection	Constant current limiting, recovers automatically after fault condition is removed	
	Over voltage protection	Shut down o/p voltage	
	Over temperature protection	Shut down o/p voltage, recovers automatically after temperature goes down	
Safety & EMC	Withstand voltage	I/P-PE:1.6KV <5mA 60S	
	Isolation Resistance	I/P-O/P: 500VDC, ≥100M Ω	
	Surge	IEC/EN61000-4-5(P<25W, L-N:500V, L/N-PE:1KV)	
	EMC Emission	IEC/EN55015, IEC/EN61000-3-2	
EMC Immunity	IEC/EN61000-4-2,3,4,5,6,8,11; IEC/EN61547		

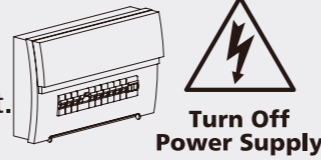
# Driver Datasheet (Triac-Dimmable)

Total load wattage		8W	16W
Output	Output Voltage range	DC30-40V	
	Rated output current	180MA	400MA
	Line Regulation	±5%	
	Setup, Rise Time	≤1S	
	Flickering Index	5%(LOW RISK)	
Input	Input Voltage	AC200-240V	
	Rated Input Voltage(V)	AC230V	
	Frequency	50Hz	
	Input Current	0.05A	0.09A
	Rated Input Current	0.04A	0.08A
	Power Factor	0.9	
	THD	-	
	Efficiency	80%	83%
	No load wattage	≤1W	
	Protection	Short circuit protection	Constant current limiting, recovers automatically after fault condition is removed
Over voltage protection	Shut down o/p voltage		
Over temperature protection	Shut down o/p voltage, recovers automatically after temperature goes down		
Safety & EMC	Withstand voltage	I/P-FG:1.6kVac, <5mA 60S;	
	Isolation Resistance	I/P-O/P: 500VDC, ≥100M Ω	
	Surge	IEC/EN61000-4-5(P<25W, L-N:500V, L/N-PE:1KV)	
	EMC Emission	IEC/EN55015, IEC/EN61000-3-2	
EMC Immunity	IEC/EN61000-4-2,3,4,5,6,8,11; IEC/EN61547		

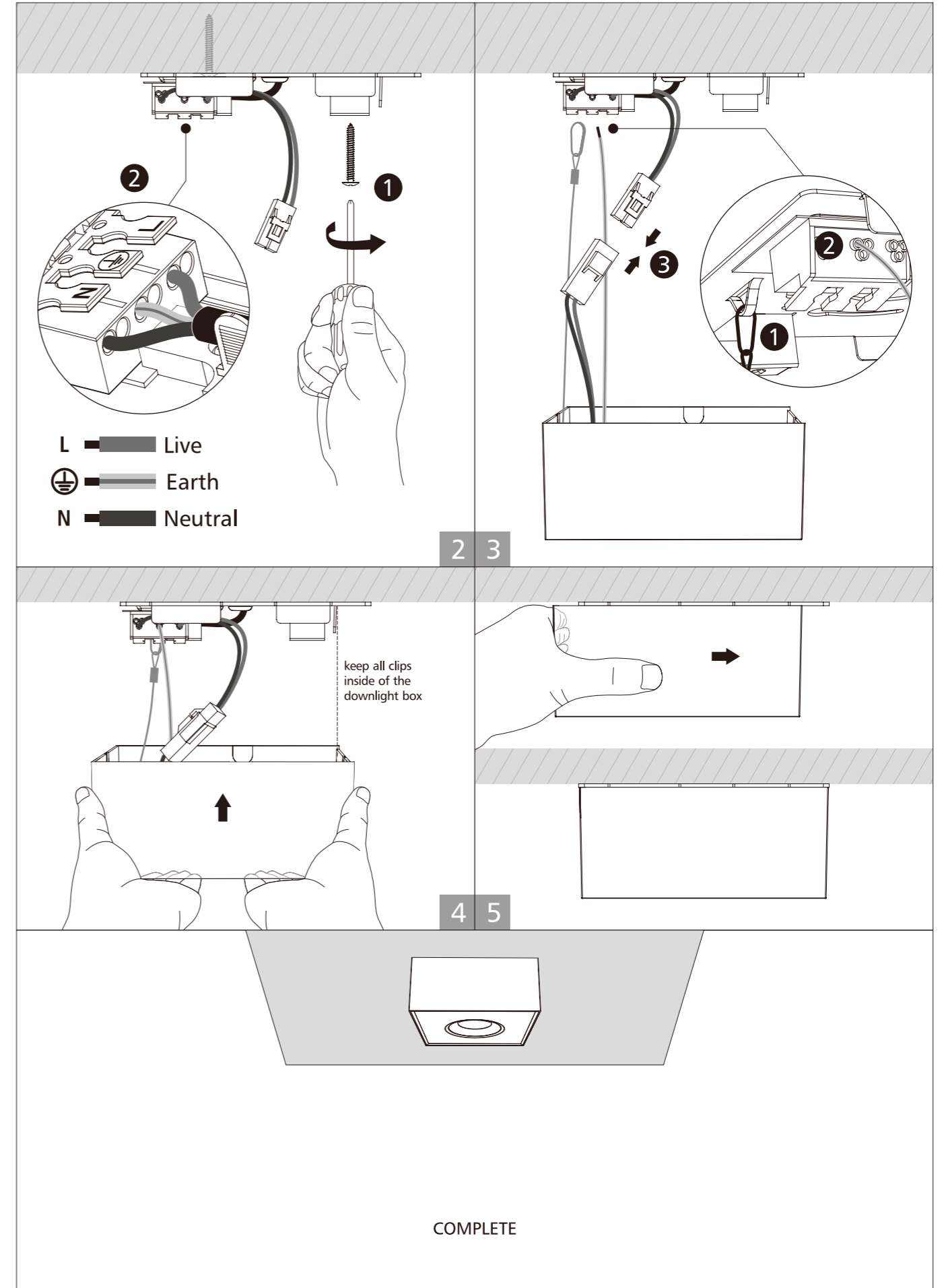
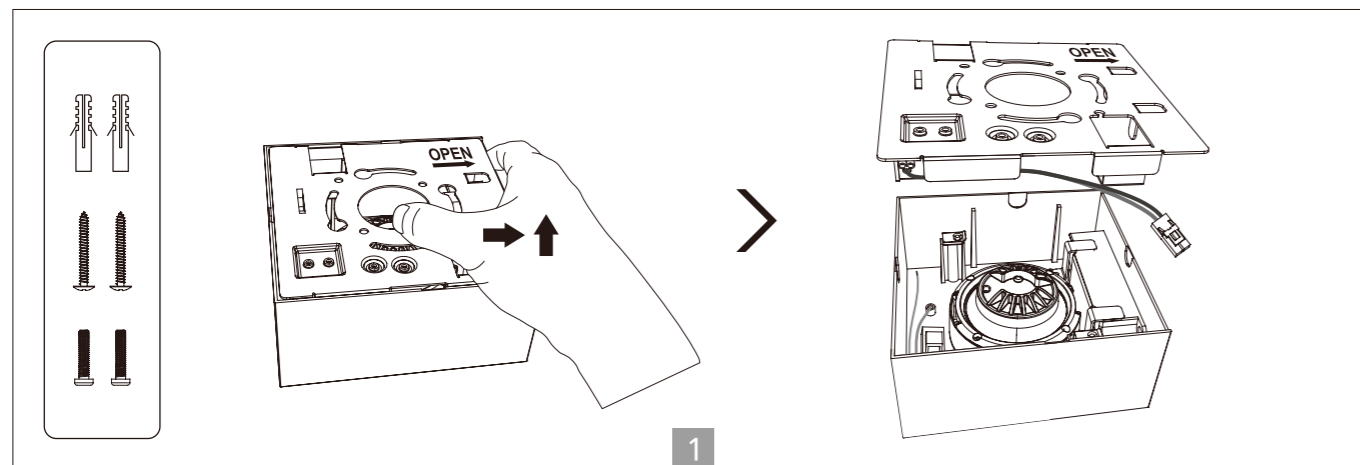
## Installation Procedure

### WARNING

1. Switch off before installation.
2. Switch on only after complete installation and examination of the circuit.
3. Professional electrician for installation and maintenance only.



## Screw surface mounted installation





*Up to Shine, there is life* 光之上，是生活

▼ [www.upshine.com](http://www.upshine.com) [info@upshine.com](mailto:info@upshine.com) TEL: +86 755 2919 7332 ▼

Add: 2-5 Floor, 2nd Building, Runheng Industrial Zone, Fuyuan 1st Road(West side), Fuyong Sub-district, Bao'an, Shenzhen, China