

LED Downlight
DL244 Series



Introduction

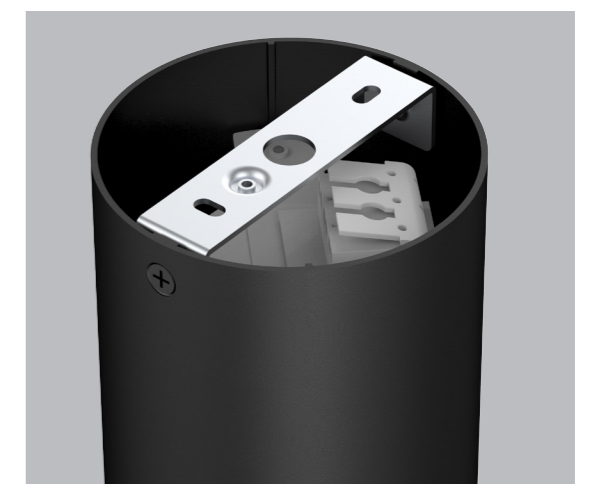
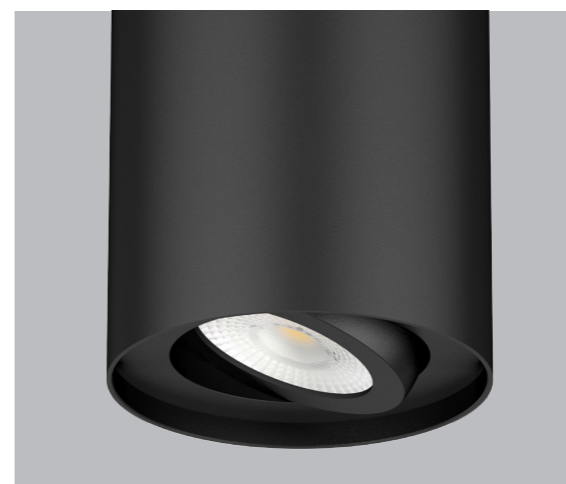
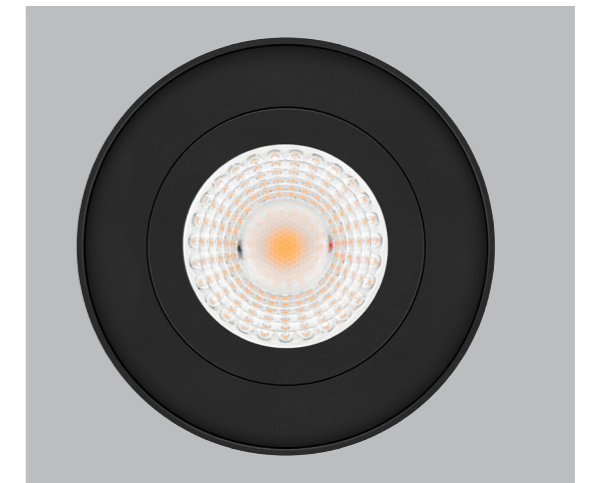
Surface mounted down light adopts brand COB, it has high transmittance lens and high reflective reflector options; The ADC12 heat sink and multi-layer structure provide excellent thermal dissipation; Adjustable lighting direction-rotate 360°in horizontal and 23°in vertical- offer all possible lighting effects. Built-in driver solution both in dim and Non-dim version achieves great dimming compatibility with the worldwide brand dimmers.

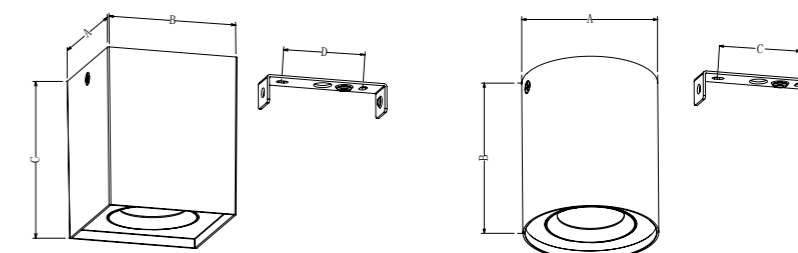
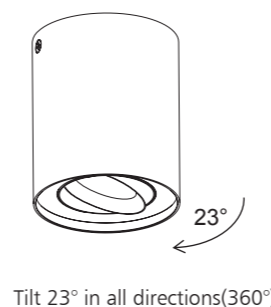
Features

- Adjustable lighting direction: 360°in horizontal and 23°in vertical.
- High lumen efficiency,100lm/W.
- Finish color: White/Black/Silver
- Lens/ reflector versions optional.
- Quick-connect terminal for easier installation.
- Triac dimmable available.
- Internal driver.

Application Areas

It is designed for general lighting applications in hotel, home, office, shop etc. It is also widely used for public areas such as stairway, lobby, reception, corridors etc.





Technical Data Sheet

| Code No. | DL244-6W | DL244-10W |
|--------------------------------|---|----------------------|
| Dimension(mm) | Ø90*108 (round) / 90*90*108(square) | |
| Cutout (mm) | - | |
| Watt(W) | 6W | 10W |
| Rated Input Voltage(V) | 230V | |
| Input Voltage(V) | 180-264V | 180-265V |
| LED Module Input | - | |
| Light Source | COB | |
| SDCM | - | |
| CCT(K) | 1-CCT: 2700K / 3000K / 4000K / 5000K | |
| CCT Selection DIP Switch | NO | |
| Luminous Flux (lm) ±5% | Lens 480-710 Reflector 520-730 | 700-1060 740-1090 |
| CRI | ≥80 | |
| Beam Angle (°) | 15° / 24° / 36° / 60° | |
| UGR | - | |
| LED Driver | Built-in | |
| Dimming Option | Triac | |
| Sensor | NO | |
| Emergency Kits | NO | |
| Electrical Class | Class I | |
| Ingress Protection (IP Rating) | IP20 | |
| Impact Resistance (IK Rating) | IK06 | |
| Product Finishing(Base) | White / Black / Silver | |
| Materials of Optics | PC | |
| Materials of Housing | Die-casting | |
| Lifetime (hr) | 50,000h | |
| Glow wire test (°C) | 750°C | |
| Operating Temp. (°C) | -20°C ~45°C | |
| Storage Temp. (°C) | -20°C ~65°C | |
| Installation | Surface mount | |

Measurement

| Code | Dimension(mm) | | | | Size(mm) | Product Weight (Kg) | | Package weight (Kg) | | Carton Size(cm) | Qty/CTN | 20GP (pcs) | 40HQ (pcs) |
|-----------|---------------|-----|-----|----|-----------|---------------------|--------|---------------------|---------|-----------------|---------|------------|------------|
| | A | B | C | D | | N.W/PC | G.W/PC | N.W/CTN | G.W/CTN | | | | |
| DL244-6W | 90 | 108 | 56 | - | Ø90*108 | 0.435 | 0.485 | 11.64 | 13.14 | 44.5*22.5*40 | 24PCS | 15600 | 37440 |
| DL244-10W | 90 | 108 | 56 | - | Ø90*108 | 0.435 | 0.485 | 11.64 | 13.14 | 44.5*22.5*40 | 24PCS | 15600 | 37440 |
| DL244-6W | 90 | 90 | 108 | 56 | 90*90*108 | 0.515 | 0.565 | 13.56 | 15.06 | 44.5*22.5*40 | 24PCS | 15600 | 37440 |
| DL244-10W | 90 | 90 | 108 | 56 | 90*90*108 | 0.515 | 0.565 | 13.56 | 15.06 | 44.5*22.5*40 | 24PCS | 15600 | 37440 |

Driver Datasheet (Non-dimmable)

| Total load wattage | | 6W | 10W |
|--------------------|-----------------------------------|--|----------|
| Output | Output Voltage range | 28-40V | |
| | Rated output current | 140mA | 230mA |
| | Line Regulation | ±5% | |
| | Setup, Rise Time | <0.5S | |
| | Flickering Index | - | |
| Input | Input Voltage | 180-264V | 180-265V |
| | Rated Input Voltage(V) | 200-240V | 200-240V |
| | Frequency | 50/60Hz | |
| | Input Current | 0.04A | 0.07A |
| | Rated Input Current | 0.04A | 0.06A |
| | Power Factor | 0.9 | |
| | THD | <20% @230V | |
| | Efficiency | 80% | |
| | No load wattage | 0.5W | 0.5W |
| Protection | Short circuit protection | Pass | |
| | Over voltage protection | Pass | |
| | Over temperature protection | Pass | |
| Safety &EMC | Withstand voltage | I/P-O/P:3.75KVac, <5mA 60S; I/P-FG:1.6KVac, <5mA 60S; O/P-FG:0.5KVac, <5mA 60S | |
| | Isolation Resistance | I/P-O/P: 500VDC, ≥100M Ω | |
| | Surge | IEC/EN61000-4-5(P<25W; L-N:500V, L/N-PE:1KV); | |
| | EMC Emission | EN55015, EN61000-3-2 | |
| EMC Immunity | EN61000-4-2,3,4,5,6,8,11; EN61547 | | |

Driver Datasheet (Triac Dimmable)

| Total load wattage | | 6W | 10W |
|-----------------------------|------------------------|--|--------|
| Output | Output Voltage range | 30-40V | 30-40V |
| | Rated output current | 130mA | 220mA |
| | Line Regulation | ±5% | |
| | Setup, Rise Time | ≤1S | |
| | Flickering Index | - | <10% |
| Input | Input Voltage | 200-240V | |
| | Rated Input Voltage(V) | 230V | |
| | Frequency | 50Hz | |
| | Input Current | 0.04A | 0.06A |
| | Rated Input Current | 0.03A | 0.05A |
| | Power Factor | 0.9 | |
| | THD | - | |
| | Efficiency | ≥78% | |
| | No load wattage | 1W | |
| | Protection | Short circuit protection | Pass |
| Over voltage protection | | Pass | |
| Over temperature protection | | Pass | |
| Safety &EMC | Withstand voltage | I/P-O/P:3.75kVac, <5mA 60S; I/P-FG:1.6kVac, <5mA 60S; O/P-FG:0.5kVac, <5mA 60S | |
| | Isolation Resistance | I/P-O/P: 500VDC, ≥100M Ω | |
| | Surge | IEC/EN61000-4-5(P<25W; L-N:500V, L/N-PE:1KV); | |
| | EMC Emission | EN55015, EN61000-3-2 | |
| | EMC Immunity | EN61000-4-2,3,4,5,6,8,11; EN61547 | |

Installation Procedure

WARNING ⚡

1. Switch off before installation / maintenance.
2. Switch on only after complete installation and examination of the circuit.
3. Professional electrician for installation and maintenance only.

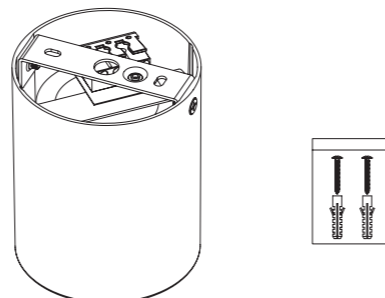


Turn off power supply before starting any installation. Read instructions & check you have all the tools & accessories to complete the installation correctly.

Surface mount

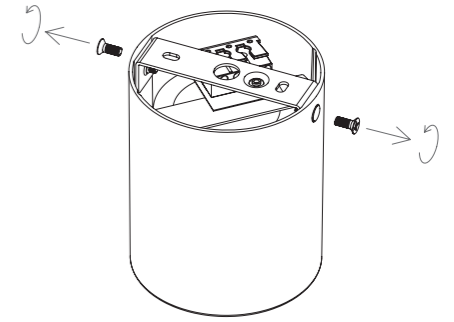
Step 1

Take out the lamp and accessory pack.



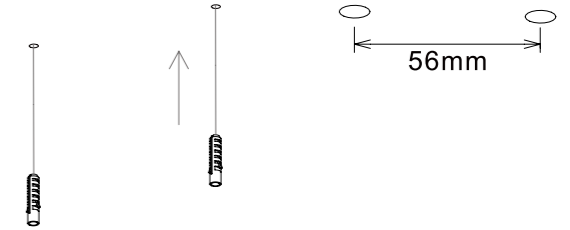
Step 2

Loosen the screws on surface mounted frame.



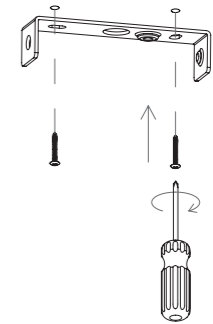
Step 3

Knock the anchor into the ceiling according to the hole distance.



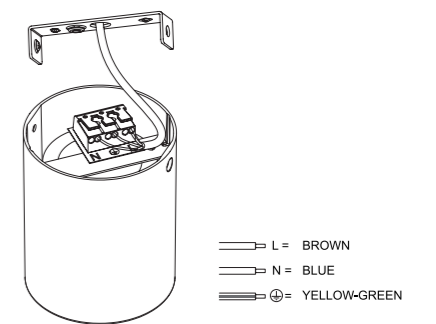
Step 4

Fix the frame by screws.



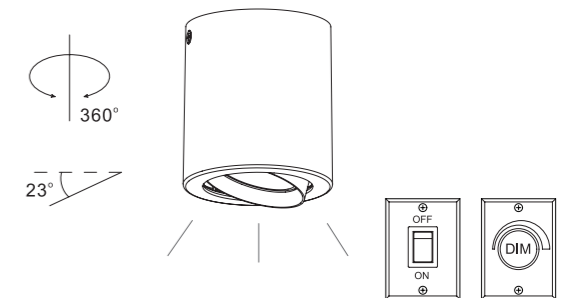
Step 5

Fix the "L""N""G" into the terminal block.



Step 6

Screw back the lamp to the frame according to step 2, adjust the lighting direction.



ECO
Specifications

STD
Specifications

PRO
Specifications

ODM
Specifications


INT
Intelligent

Up to Shine, there is life 光之上，是生活

▼ www.upshine.com info@upshine.com TEL: +86 755 2919 7332 ▼

Add: 2nd building Dingfeng High-Tech Zone, Fuyuan 1st road, Fu Yong Sub-district, Bao'an, Shenzhen China