

Entry/ECO

Standard/STD

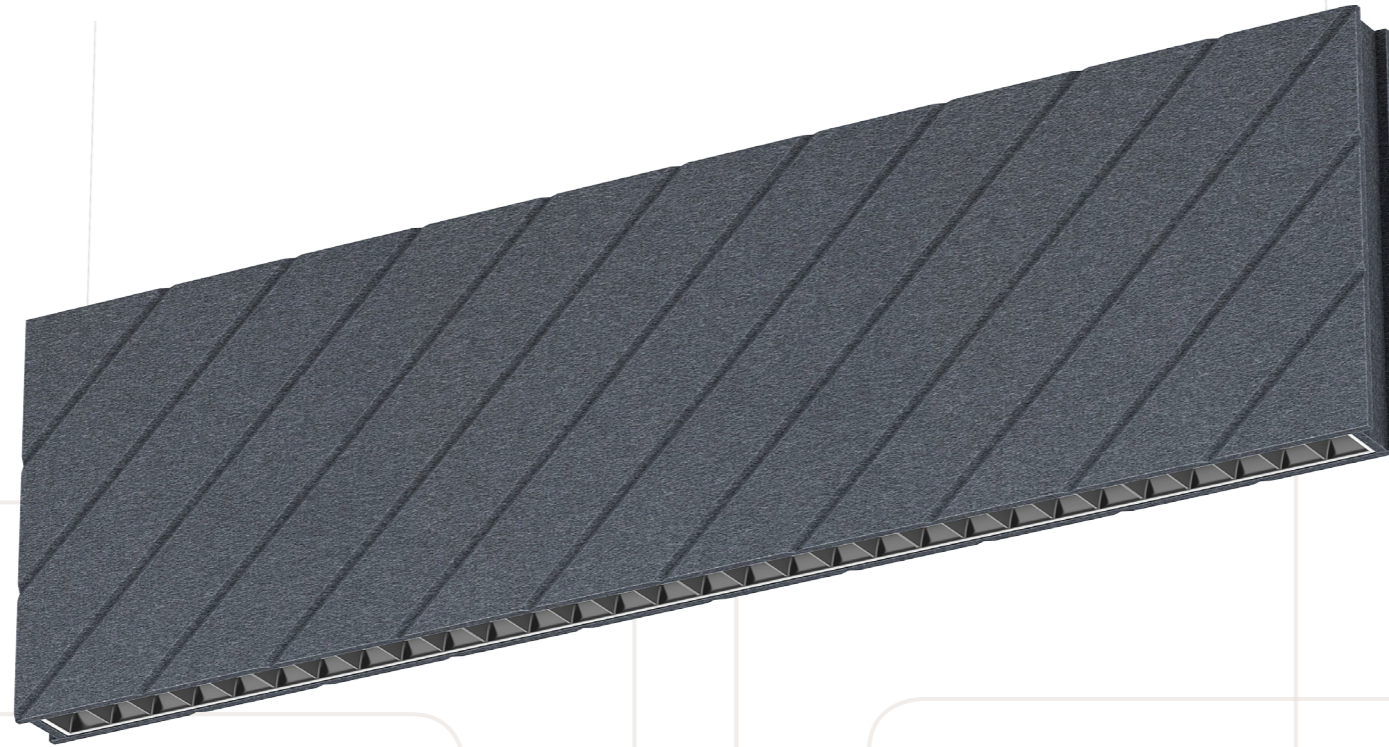
Professional/PRO

ODM & OEM

Intelligent/INT



PRO
Specifications



LED Linear
DB160 Acoustic lighting Series





Introduction

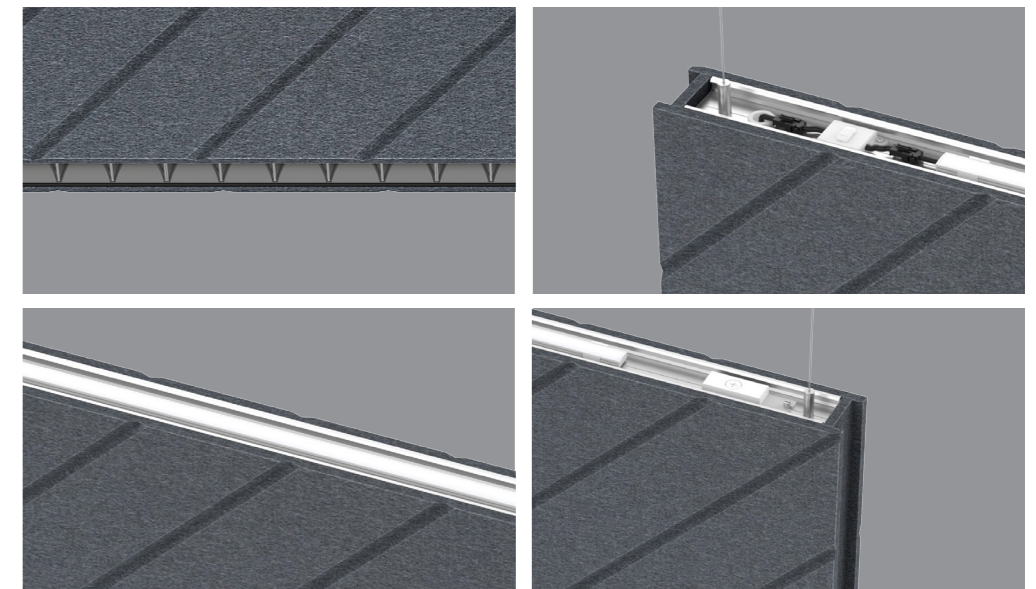
Bridging sound management and architectural lighting, DB160 is an integrated acoustic linear system that offers unmatched possibilities to control noise and provide optimal lighting in commercial environments. For optic design, DB160 adopts high lumen SMD light source, direct and indirect lighting design offers a uniform light distribution. For sound management, the polyester fiber sound-absorbing board is with striped grooves, and the concave-convex structure can fully diffuse excess sound rays, which can realize frequency sound absorption and diffusion, making the sound clearer and fuller, better integration of acoustics and modern lamps together.

Features

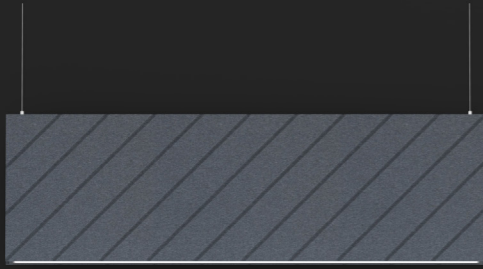
- Three types option: DB160A with grill reflector, DB160B with opal diffuser, DB160C with prismatic diffuser.
- Direct(80%) & indirect(20%) lighting design.
- High lumen efficiency, 95lm/W@DB160A/C, 120lm/W@DB160B.
- UGR<19 for DB160A.
- Interchangeable CCT(3000K+4000K)with slide switch.
- The color of polyester fiber sound-absorbing board can be customized(Standard color is grey)
- Internal flicker free driver, Osram brand for non-dim version, Boke brand for DALI dimming version.

Application Areas

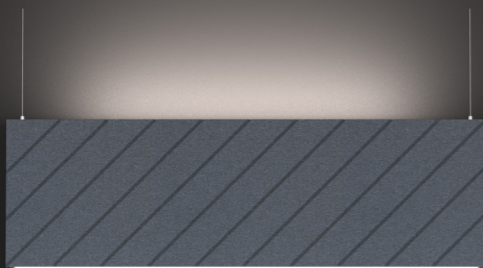
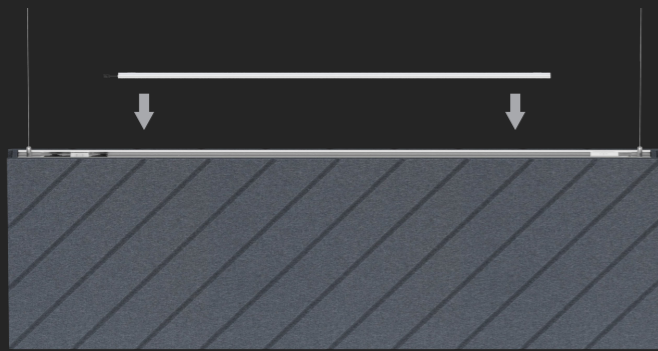
This sound-absorbing linear light is widely used in sports hall, restaurant, office, meeting room, study room etc.



Direct & indirect light emission by adding upward LED module



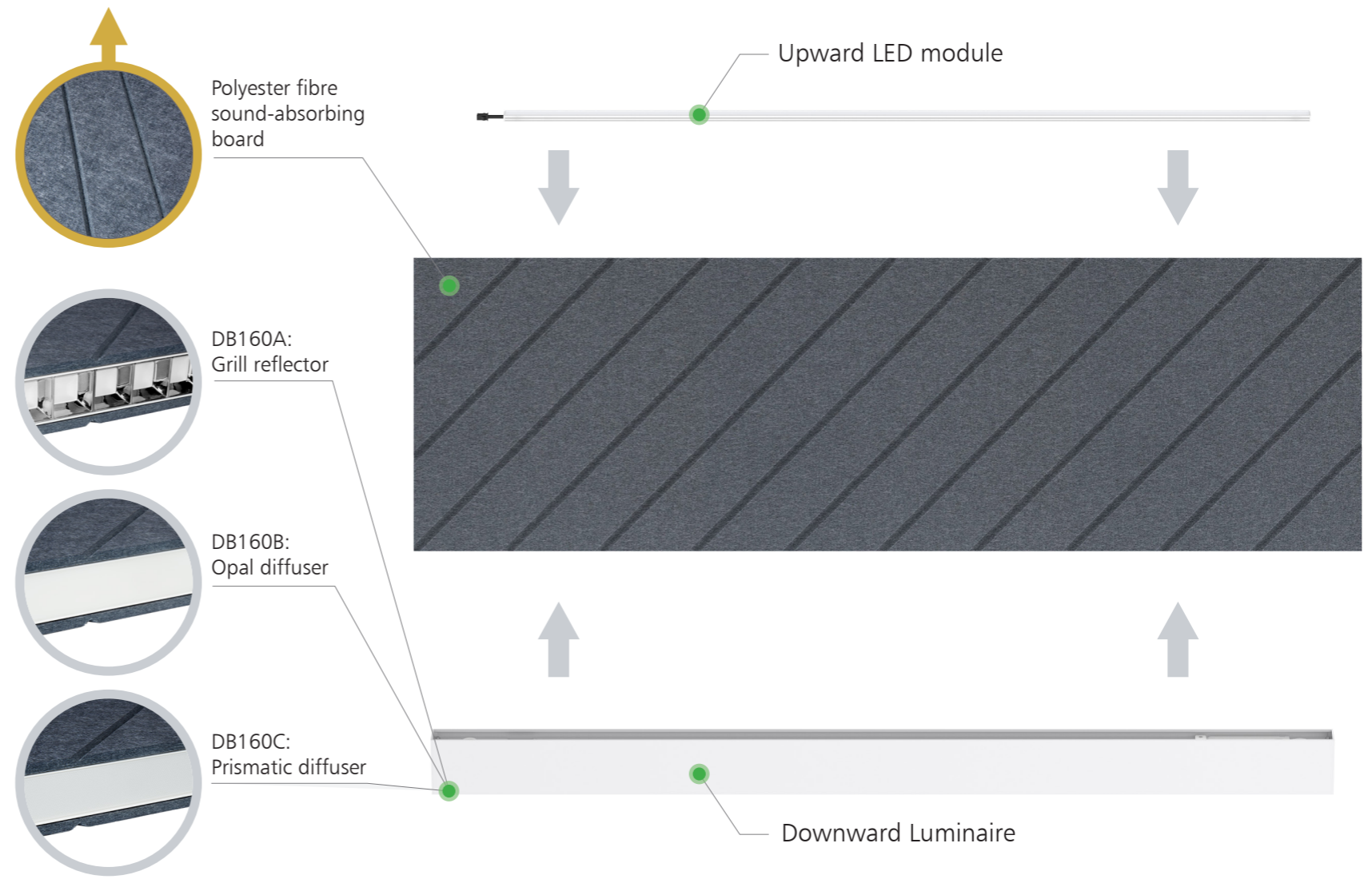
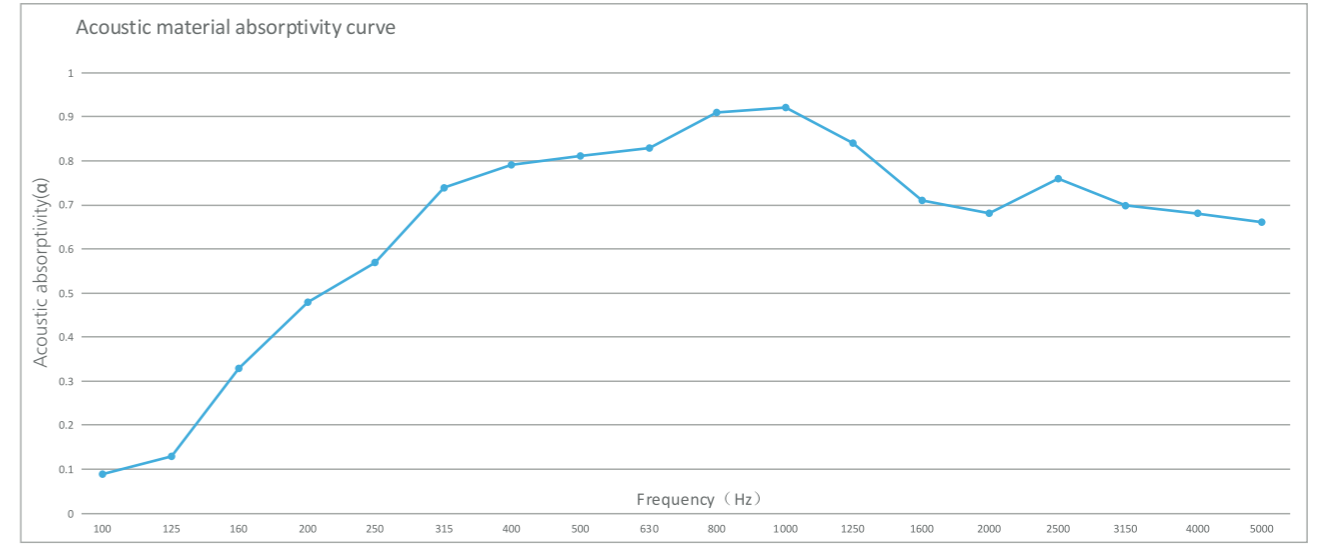
Direct light emission

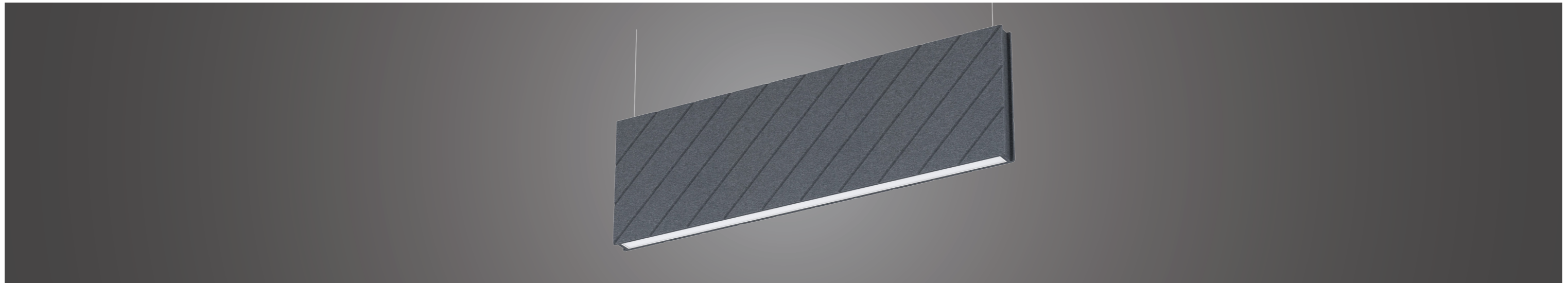


Direct / indirect light emission

Measurement of sound absorption in a reverberation room

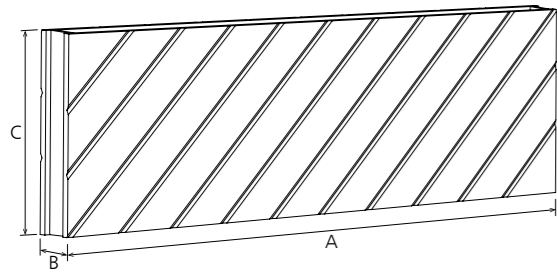
Frequency (Hz)	Acoustic absorptivity(α)
100	0.09
125	0.13
160	0.33
200	0.48
250	0.57
315	0.74
400	0.79
500	0.81
630	0.83
800	0.91
1000	0.92
1250	0.84
1600	0.71
2000	0.68
2500	0.76
3150	0.7
4000	0.68
5000	0.66





Technical Data Sheet

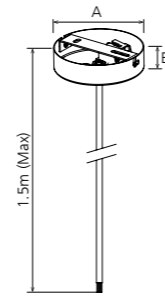
Code No.	DB160A-1200-46W/ACC-DB160		DB160A-1500-65W/ACC-DB160		DB160B-1200-46W/ACC-DB160		DB160B-1500-65W/ACC-DB160		DB160C-1200-46W/ACC-DB160		DB160C-1500-65W/ACC-DB160			
Dimension(mm)	1292*64*400		1500*64*400		1292*64*400		1500*64*400		1292*64*400		1500*64*400			
Cutout (mm)	-													
Watt(W)	36W (Direct)	10W (Indirect) +36W (Direct)	50W (Direct)	15W (Indirect) +50W (Direct)	36W (Direct)	10W (Indirect) +36W (Direct)	50W (Direct)	15W (Indirect) +50W (Direct)	36W (Direct)	10W (Indirect) +36W (Direct)	50W (Direct)	15W (Indirect) +50W (Direct)		
Rated Input Voltage(V)	220-240V													
Input Voltage(V)	230V													
LED Module Input	-													
Light Source	SMD													
SDCM	<6													
CCT(K)	2-CCT:3000K + 4000K													
CCT Selection DIP Switch	YES													
Luminous Flux (lm) ± 5% (White color)	Non-DIM	1-CCT	-											
	DIM		-											
	Non-DIM	2-CCT	3050-3800	4200-5000	4300-5000	5600-6800	3750-4550	4600-5750	5000-6200	6500-8000	3050-3800	4000-4800	4500-5800	6000-7500
	DIM		3050-3800	4200-5000	4300-5000	5600-6800	3750-4550	4600-5750	5000-6200	6500-8000	3050-3800	4000-4800	4500-5800	6000-7500
Remark: If the downward Luminaire with black color, lumen will decrease 15% (Type A will keep the same)														
CRI	80													
Beam Angle (°)	80°×50° (Direct)	110° (Indirect) 80°×50° (Direct)	80°×50° (Direct)	110° (Indirect) 80°×50° (Direct)	105°(Direct)	110° (Indirect) 105° (Direct)	105°(Direct)	110° (Indirect) 105° (Direct)	90°(Direct)	110° (Indirect) 90° (Direct)	90°(Direct)	110° (Indirect) 90° (Direct)		
UGR	<19				-									
LED Driver	Built-in													
Dimming Option	DALI													
Sensor	NO													
Emergency Kits	NO													
Electrical Class	Class I													
Ingress Protection (IP Rating)	IP20													
Impact Resistance (IK Rating)	-													
Product Finishing(Base)	Grey													
Materials of Optics	PC													
Materials of Housing	Polyester fibre (sound-absorbing board); Aluminum (luminaire)													
Lifetime (hr)	50,000h													
Glow wire test (°C)	750°C													
Operating Temp. (°C)	-20~30°C													
Storage Temp. (°C)	-20°C~65°C													
Installation	Pendant													



DB160/ACC-DB160
Acoustic lighting fixture



ACC-DB160-1200/1500
Upward LED module



ACC-DB160-(DA/D0)-BK(WT)-0200
Round ceiling plate

Measurement

Code	Dimension(mm)			Size(mm)	Product Weight (Kg)		Package weight (Kg)		Carton Size(cm)	Qty/ CTN	20GP (pcs)	40HQ (pcs)
	A	B	C		N.W/PC	G.W/PC	N.W/CTN	G.W/CTN				
DB160-1200/ACC-DB160	1292	64	400	1292*64*400	5.28	6.75	5.28	6.75	132*9*48	1	460	1043
DB160-1500/ACC-DB160	1500	64	400	1500*64*400	5.95	7.62	5.95	7.62	153*9*48	1	366	915
ACC-DB160-1200	853	17.3	7	853*17.3*7	0.135	-	3.24	6.78	91.5*37.5*13	24	14976	34368
ACC-DB160-1500	1061	17.3	7	1061*17.3*7	0.16	-	3.84	7.38	112.5*37.5*13	24	12288	28320
ACC-DB160-(DA/D0)-BK(WT)-0200	Ø100	25	-	Ø100*25	0.28	0.31	1.12	1.35	26.5*13.5*14	4	20736	48624

Driver Datasheet (Non-dimmable)

Total load wattage		36W	46W	50W	65W
Output	Output Voltage range	DC23-54V			
	Rated output current	1050mA		1400mA	
	Line Regulation	±5%			
	Setup, Rise Time	<0.55@230V			
	Flickering Index	0.45%(NO RISK)		0.56%(NO RISK)	
Input	Input Voltage	AC198-264V			
	Rated Input Voltage(V)	AC220-240V			
	Frequency	50 / 60 Hz			
	Input Current	≤0.21A	≤0.26A	≤0.28A	≤0.36A
	Rated Input Current	≤0.19A	≤0.24A	≤0.25A	≤0.33A
	Power Factor	0.9			
	THD	< 15 %@230V			
	Efficiency	87%			
	No load wattage	<0.5W			
Protection	Short circuit protection	PASS			
	Over voltage protection	PASS			
	Over temperature protection	PASS			
Safety & EMC	Withstand voltage	I/P-FG:1.5KVac, <5mA 60S			
	Isolation Resistance	500VDC, ≥2M Ω			
	Surge	IEC/EN61000-4-5 (P≥25w L-N:1KV, L/N-PE:2KV)			
	EMC Emission	EN55015, EN61000-3-2			
	EMC Immunity	EN61000-4-2,3,4,5,6,8,11; EN61547			

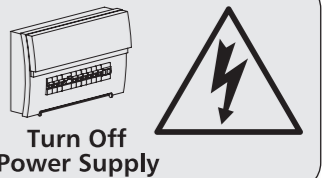
Driver Datasheet (Dali Dimmable)

Total load wattage		36W	46W	50W	65W
Output	Output Voltage range	DC6-42V			
	Rated output current	1050mA		1400mA	
	Line Regulation	±5%			
	Setup, Rise Time	<0.65@230V			
	Flickering Index	0.36%(NO RISK)		0.29%(NO RISK)	
Input	Input Voltage	AC180-264V			
	Rated Input Voltage(V)	AC200-240V			
	Frequency	50 / 60 Hz			
	Input Current	≤0.22A	≤0.28A	≤0.31A	≤0.40A
	Rated Input Current	≤0.20A	≤0.26A	≤0.28A	≤0.36A
	Power Factor	0.9			
	THD	<15 %@230V			
	Efficiency	88%			
	No load wattage	<0.5W			
Protection	Short circuit protection	PASS			
	Over voltage protection	PASS			
	Over temperature protection	PASS			
Safety & EMC	Withstand voltage	I/P-FG:1.5KVac, <5mA 60S			
	Isolation Resistance	500VDC, ≥2M Ω			
	Surge	IEC/EN61000-4-5 (P≥25w L-N:1KV, L/N-PE:2KV)			
	EMC Emission	EN55015, EN61000-3-2			
	EMC Immunity	EN61000-4-2,3,4,5,6,8,11; EN61547			

Installation Procedure

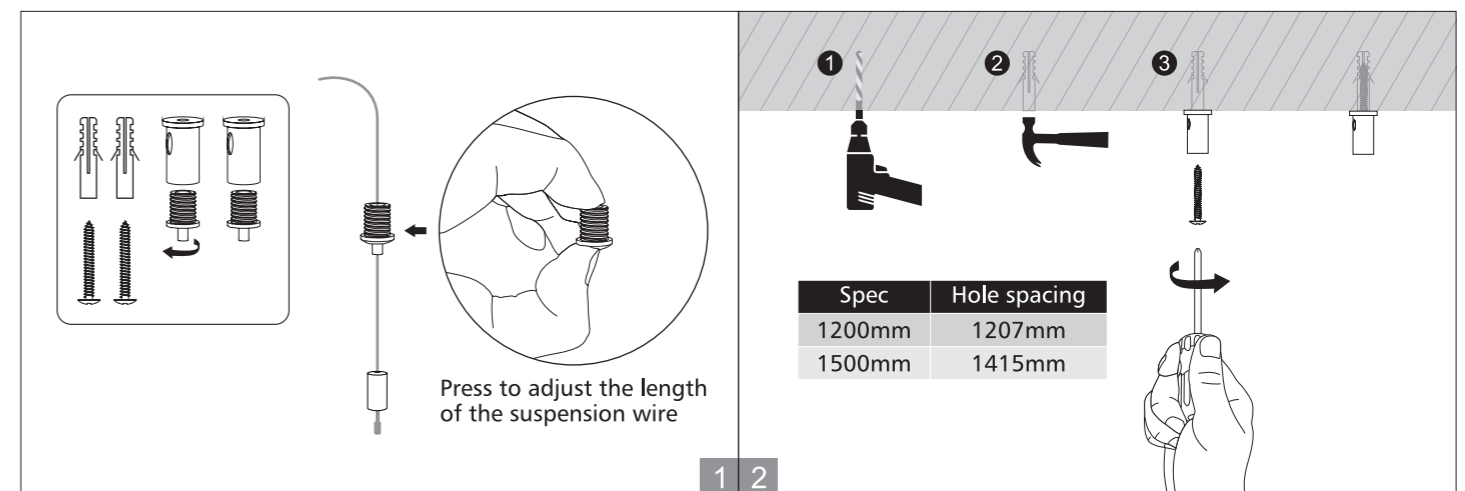
WARNING

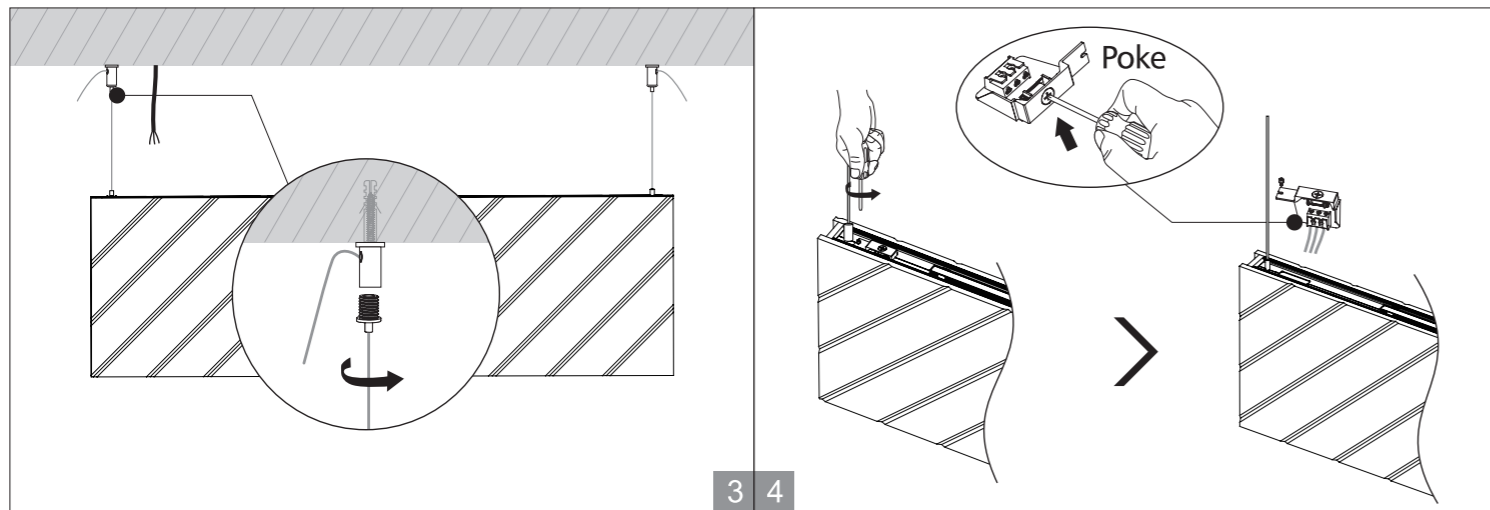
- 1.Switch off before installation.
- 2.Switch on only after complete installation and examination of the circuit.
- 3.Professional electrician for installation and maintenance only.



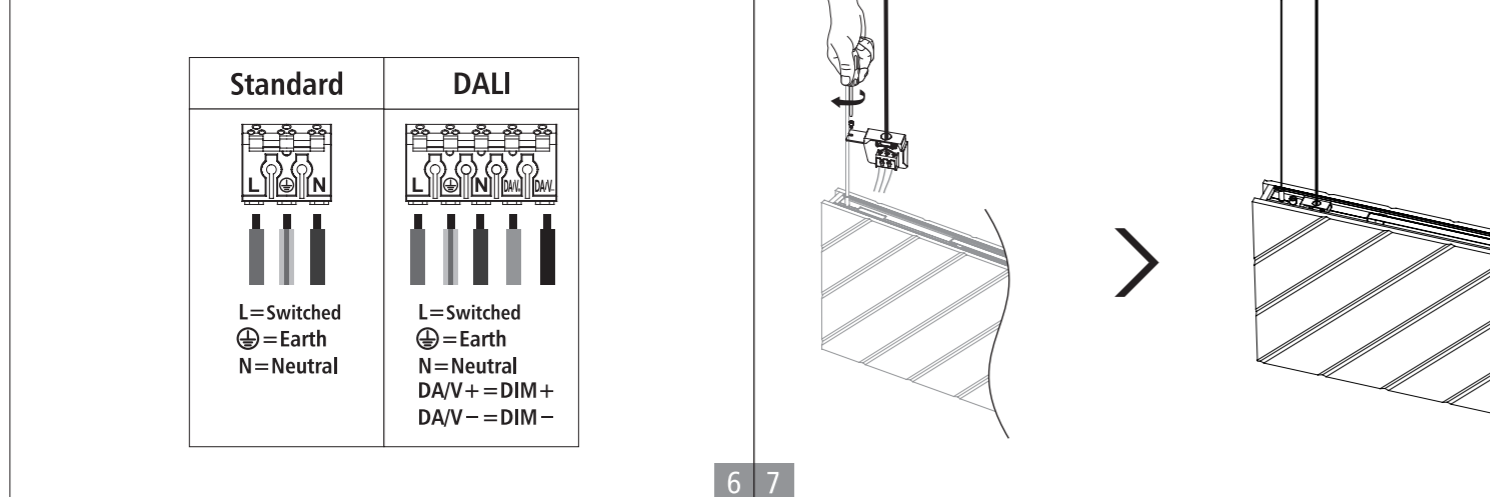
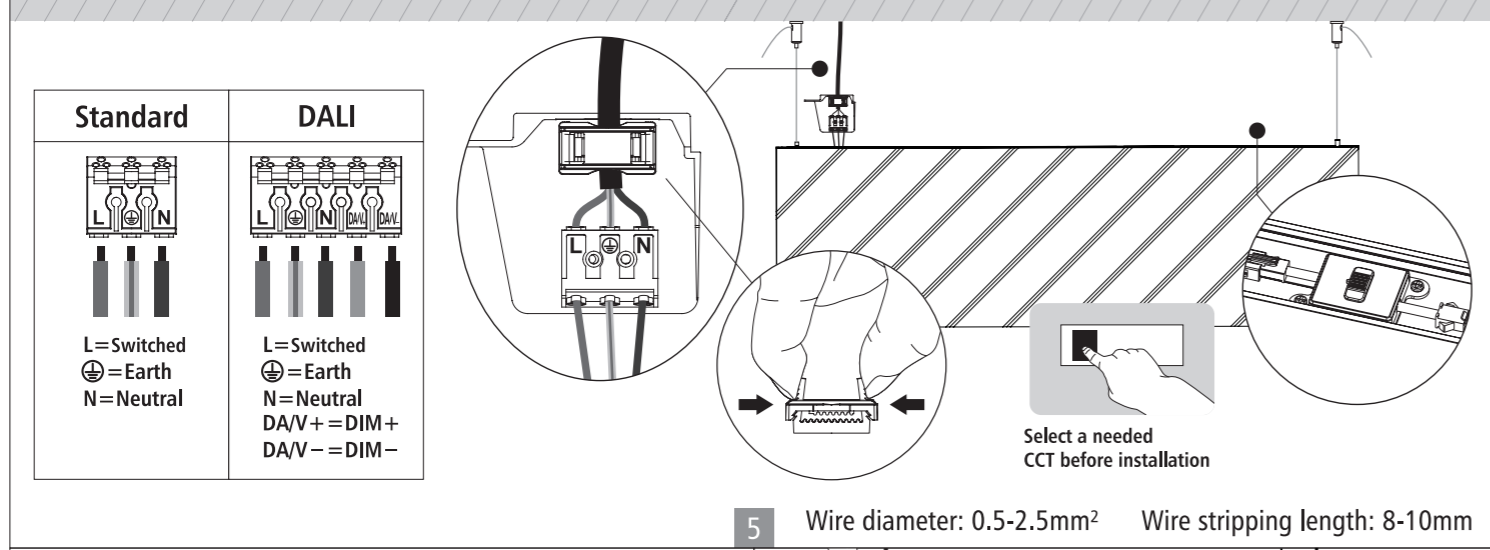
Turn Off power supply before starting any installation. Read instructions & check you have all the tools & accessories to complete the installation correctly.

Suspended installation (Without round ceiling plate)

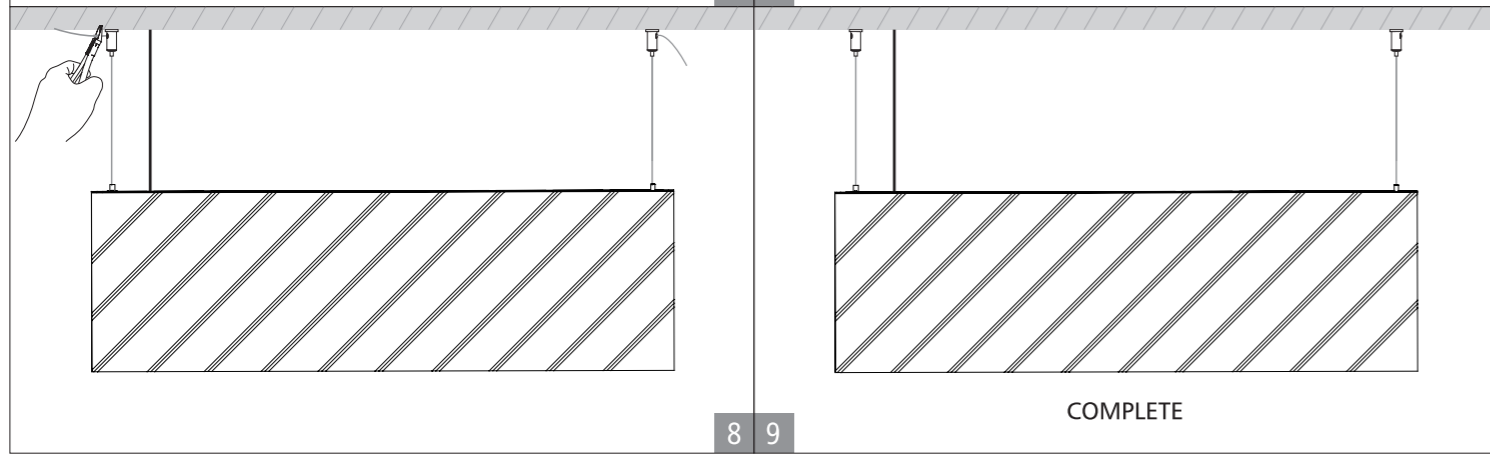




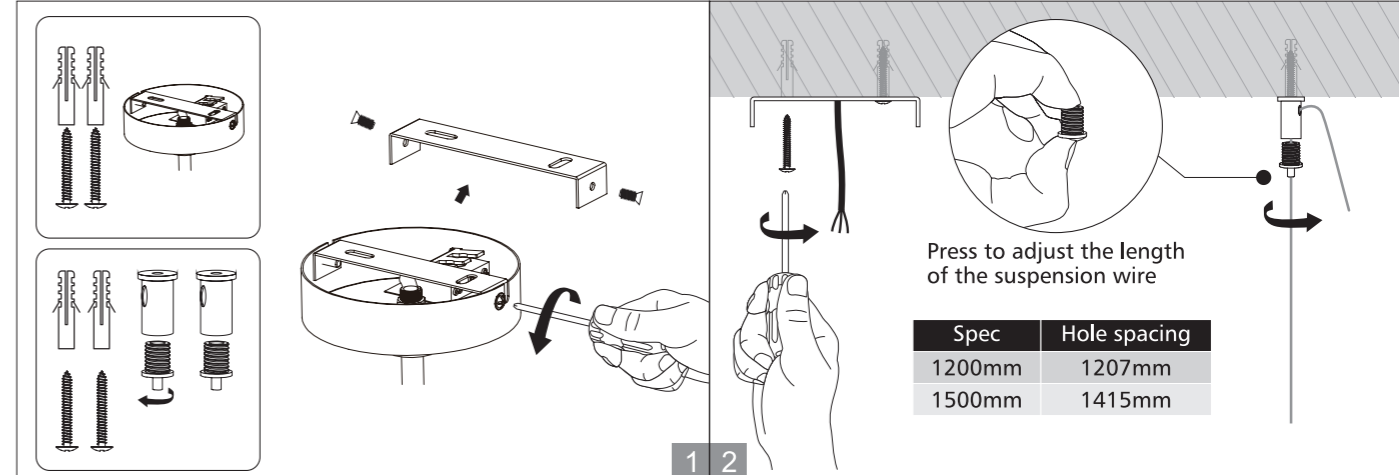
3 4



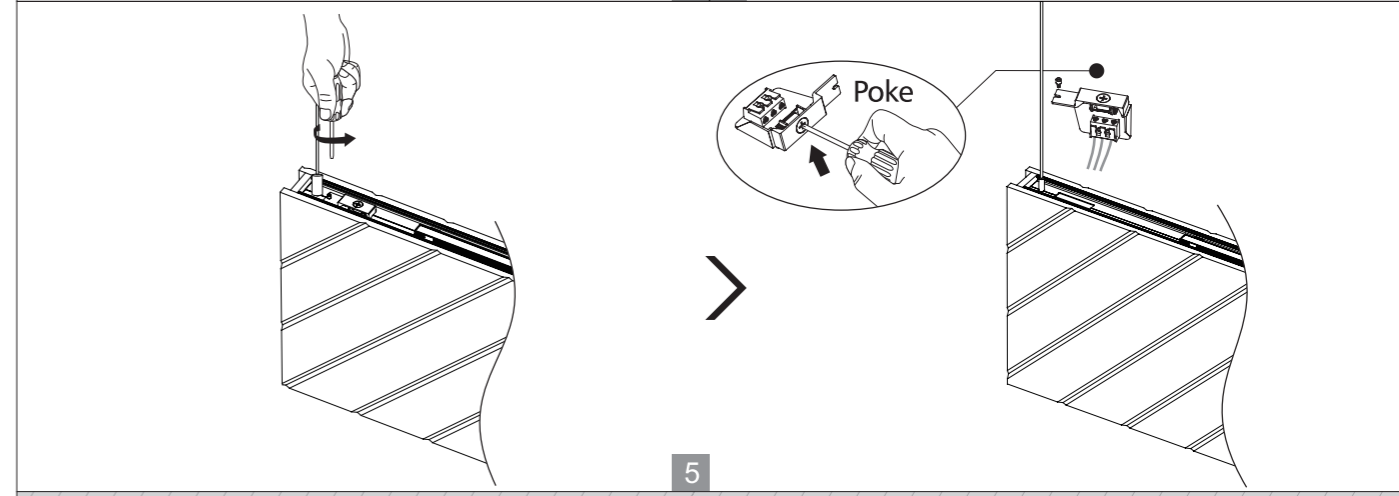
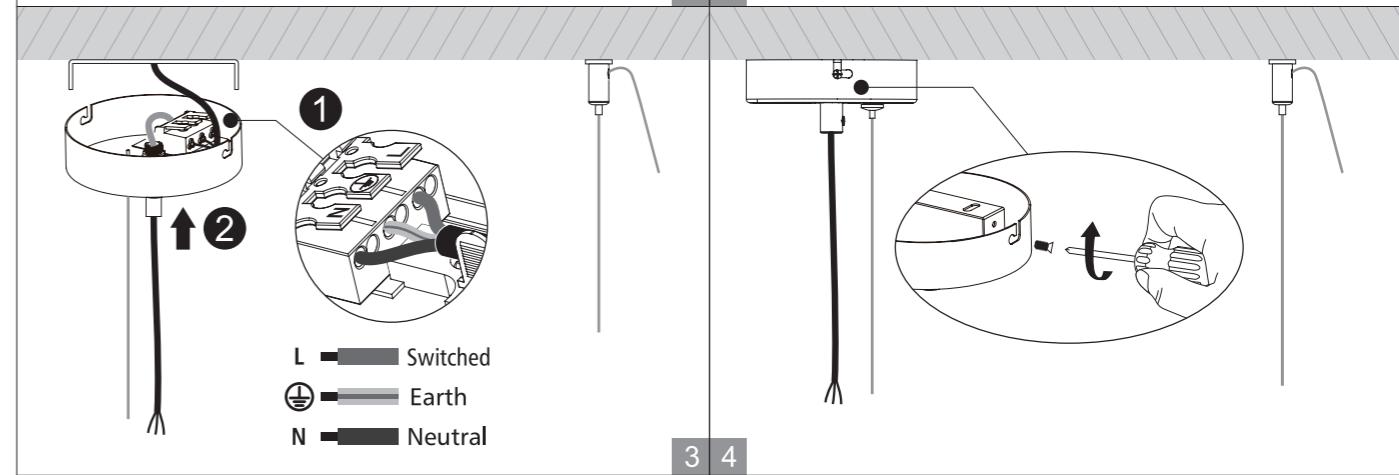
6 7



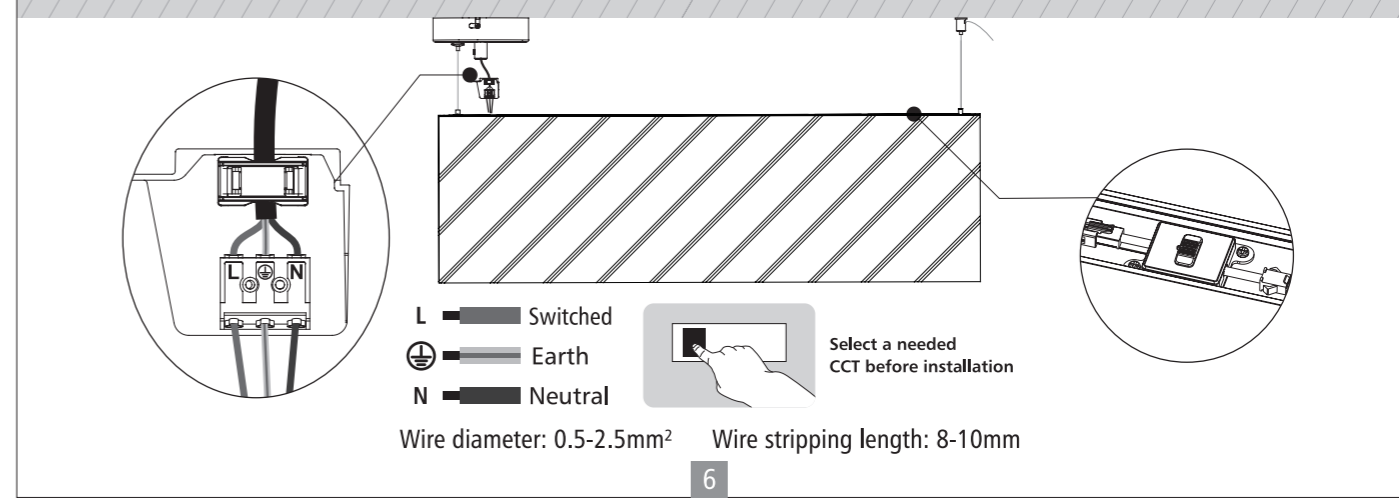
Suspended installation (With round ceiling plate)

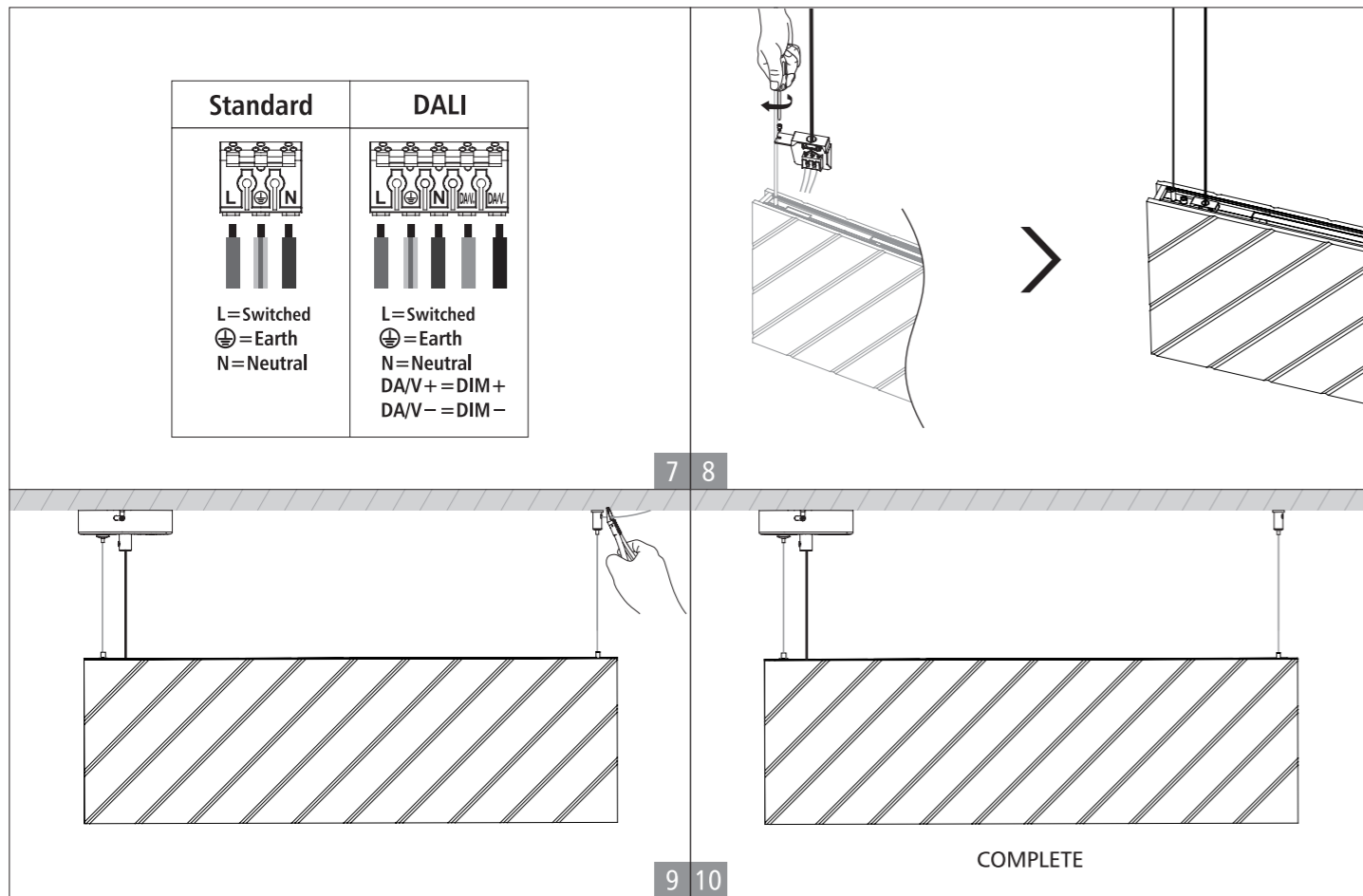


1 2

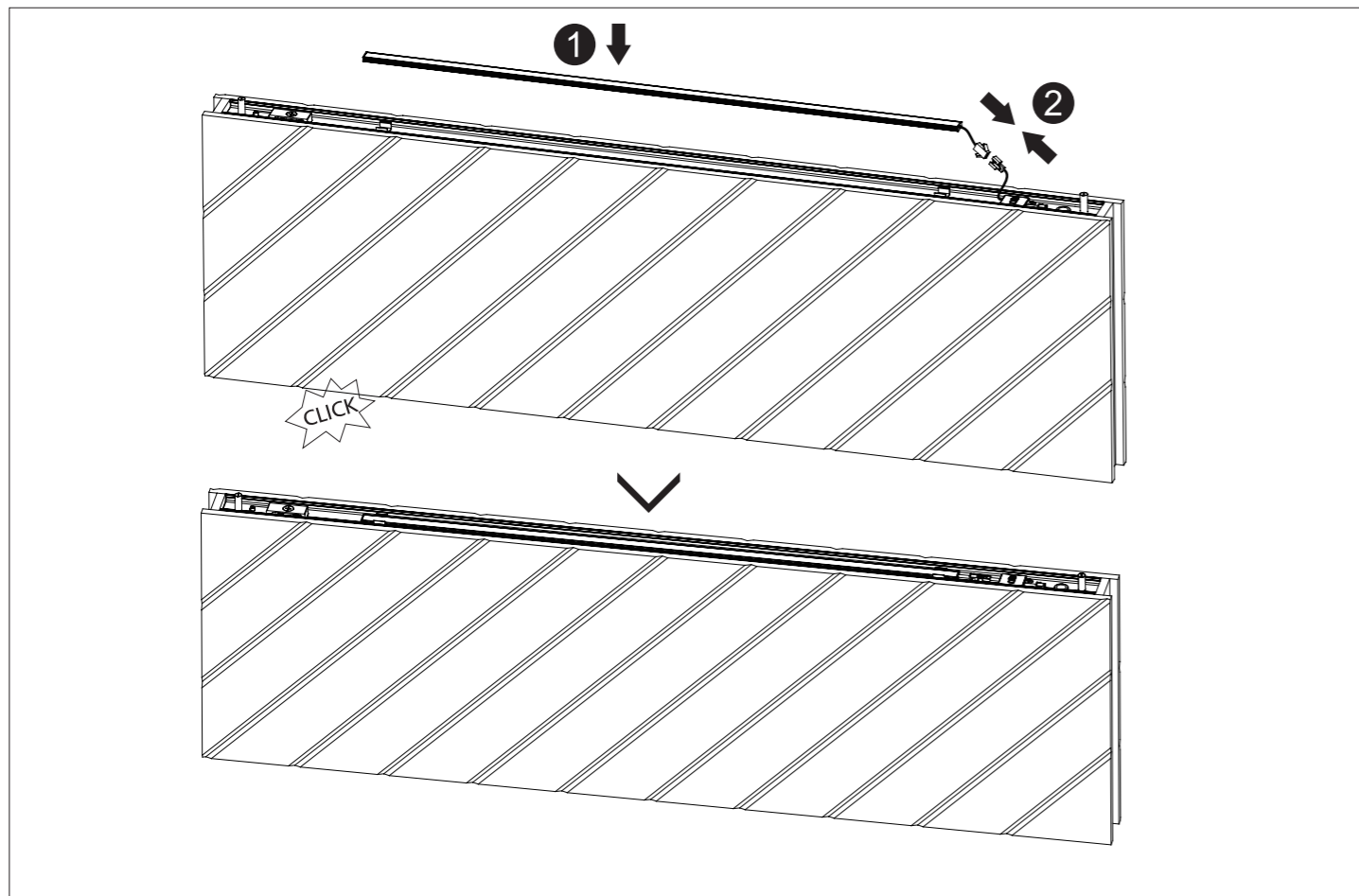


5





■ Up & down lighting distribution by adding upward LED module



ECO
Specifications

STD
Specifications

PRO
Specifications

ODM
Specifications


INT
Intelligent

UPSHINE | *Up to Shine, there is life*
光之上，是生活

▼ www.upshine.com info@upshine.com TEL: +86 755 2919 7332 ▼

Add: 2-5 Floor, 2nd Building, Runheng Industrial Zone, Fuyuan 1st Road(West side), Fuyong Sub-district, Bao'an, Shenzhen, China