

Features

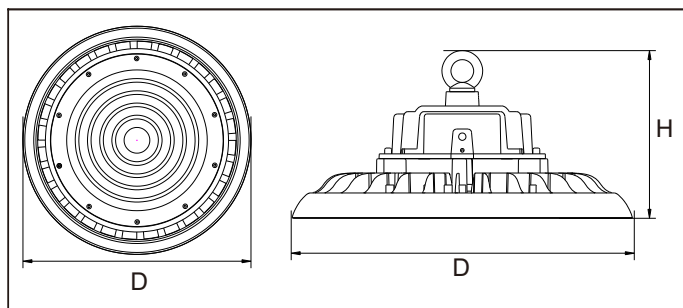
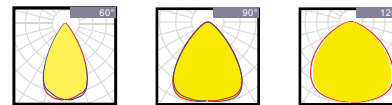
Housing: Die-cast
 Thermal Conductivity: 96 W/m·K
 Led: Philips
 CRI: Ra>80 (90 for option)
 SDCM: <6
 Power Factor: >0.95
 THD: <15
 Driver: Sosen
 Driver Efficiency: >93%
 Protection: OTP, OCP, OVP, SCP
 Surge Protection: 4KV
 Waterproof: IP65
 Impact Test: IK08
 Electrical: 100-277V, 50/60Hz
 Operating Temperature: -40~60°C
 TM21: L80B10>50,000H
 Lifetime: 50,000H



Functions

ZigBee · PWM · 0/1~10V · Micro-wave

Optical options:



Watt	Voltage	Lumen	CRI	IP	Dimension
100W	100~277V	15000LM	>80 (90)	IP65	D258*H139MM
150W	100~277V	22500LM	>80 (90)	IP65	D299*H139MM
200W	100~277V	30000LM	>80 (90)	IP65	D347*H142MM